



CVE-A

CVE-A, Transducer Vac.

Code: M25011.

- > Output type: 2
- > Analog output: 4...20mA
- > Measure: 300 Vac
- > Paramètre: V ~

Description

The **CVE-A** and **CVE-AP** transducers, convert A.C voltage to D.C process indicator signal.

The analog output is directly proportional to the input signal, calibrated as a RMS with sinus signal of 50Hz.



CVE-A

Narrow section AC Voltage transducer

Code: M25011.

Specifications

AC power supply

Consumption	2,5 VA
Frequency	40...90 Hz
Nominal voltage	115/230 Vca (-10...+10 %)

DC power supply

Consumption	2,5 VA
Nominal voltage	9-18 / 18-36 Vdc 36-72 / 90-140 Vdc

Mechanical characteristics

Size (mm) width x height x depth	20 x 70 x 110 (mm)
Weight (kg)	0,06

Environmental characteristics

Protection class	IP 20 (Terminals) IP 40 (case)
Storage temperature	-40...+70 °C
Operating temperature	-10...+60 °C

Voltage measurement circuit

Consumption	0,2 VA
Frequency measuring range	45/65 Hz
Voltage measuring range	5...120 % Vn
Nominal voltage	0...660 V
Maximum permanent measurement voltage	1000 V

Standards

Electrical safety, Maximum height (m)	2000
Standards	IEC 529, IEC 688, IEC 801, EN 50081-1, EN 50082-1, IEC 1010

Analogue inputs

Load impedance in current	< 500 Ω
Ripple (effective RMS value)	< 2 %
Load impedance in voltage	> 500 Ω
Response time	< 300 ms (0...99 % Vn)

Analogue outputs

Current mode, nominal range	0...10, 20 mAac
Displaced output	0,2...2 V / 2...10 V / 4...20 mA
Voltage mode: nominal output range	0...5, 10 Vac



CVE-A

Narrow section AC Voltage transducer

Code: M25011.

Measurement accuracy

Phase current measurement

0,5 % FS



CVE-A

Narrow section AC Voltage transducer

Code: M25011.

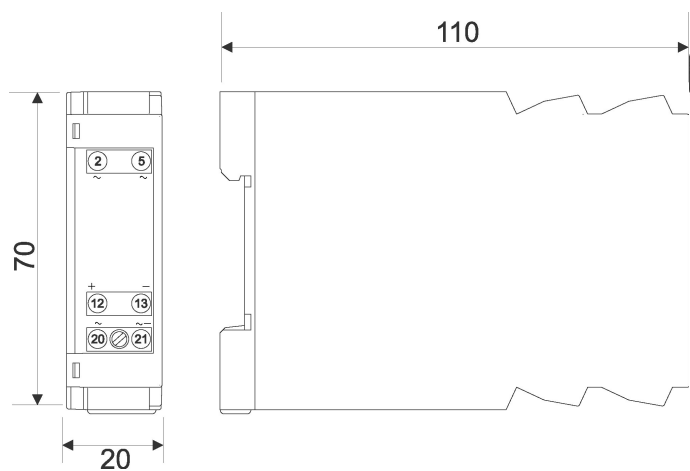
CVE
Narrow section AC Voltage transducer

CODE	TYPE	Output type	Analog output	System	Measure	Paramètre
M25011.	CVE-A	2	4...20mA	-	300 Vac	V ~
M25021.	CVE-A-AP	1	0...20mA	-	230 Vac	V ~

Specify ACCORDING TO THE CODE TABLE: 1. Code / 2. Input range / 3. Output range / 4. Auxiliary power supply / 5. Specify the network voltage for CFE-AP. xxx-AP types external auxiliary supply not required. 4...20 mA output not possible.

For other values, see coding table on following pages

Dimensions



Connections

