



CUC96 230V

CUC96 230V, Sequence-ind. Relay

Code: M13754.

- > N° relays: 1
- > Measurement Range (V): 230
- > Device: CUC96
- > Modules: 96x96

Description

A completely electronic circuit without moving parts allows easily activation of LED

Application

UC72 and **UC96** types indicate the phase sequence type in three-phase networks.

CUC96, besides indicating the phase sequence type, have a relay with a free voltage switch-over contact.

The relay opens in voltage lack situation or when the phase rotation sense is wrong.



CUC96 230V

Code: M13754.

Specifications

Mechanical characteristics

Size (mm) width x height x depth	96 x 96 x 62.9 (mm)
Fastening	Panel
Weight (kg)	0,38

Environmental characteristics

Protection class	Panel: IP 52 (Front), IP 00 (Terminals)
Storage temperature	-40 ... +70 °C
Working temperature	0 ... +70 °C

Standards

Certifications	UL
Electrical safety, Maximum height (m)	2000
Standards	BS 89, UNE-EN 60051, IEC 144, UL94, DIN 43780, IEC 51, UNE 21318

Current measurement circuit

Consumption	4 VA
Sampling frequency	50 Hz

Voltage measurement circuit

Nominal voltage	230 V~ (optional 100-120 V~ / 380-440 V~)
Maximum permanent measurement voltage	1,2 Vn permanent rated voltage / 2 Vn during 5s

Measurement accuracy

Accuracy	1,5 % FE
----------	----------

UC / CUC

Phase sequence indicators

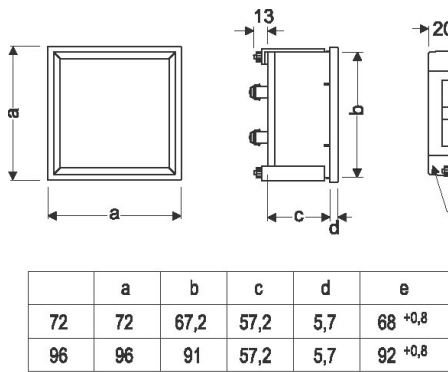
CODE	TYPE	Modules	Device
M13726.	UC72 100...150V	72x72	UC72
M13721.	UC72 150...500V	72x72	UC72
M13736.	UC96 100 ...150V	96x96	UC96
M13731.	UC96 150...500V	96x96	UC96
M13754.	CUC96 230V	96x96	CUC96
M13755.	CUC96 400V	96x96	CUC96



CUC96 230V

Code: M13754.

Dimensions



Connections

