



## PIC144E 400V

PIC144E 400V, Phasemeter

Code: M13649.

- > Scale: 360°, P1
- > System: Unbalanced three-phase
- > Accuracy: 1,5
- > Measurement Range (V): 400
- > Modules: 144x144

## Specifications

### Mechanical characteristics

Size (mm) width x height x depth	144 x 144 x 102 (mm)
Weight (kg)	1,21

### Environmental characteristics

Protection class	Panel: IP 52 (Front), IP 00 (Terminals)
Storage temperature	-25...+40 °C
Operating temperature	+10 ... +30 °C

### Standards

Certifications	CE, UL
Electrical safety, Maximum height (m)	2000
Standards	BS 89, UNE-EN 60051, IEC 144, UL 94, DIN 43780, IEC 51, UNE 21318

### Current measurement circuit

Consumption	2,5 VA
Nominal current (In)	... 5 A
Allowable overload	1,2 In permanent / 5 In during 30s / 10 In during 5s / 40 In during 1s

### Voltage measurement circuit

Consumption	15 mA
Sampling frequency	45 ... 55 Hz / 54 .... 66 Hz

### Electrical characteristics

Insulation voltage, circuit	2 kV a 50 Hz <1 min entre mecanismo y caja
-----------------------------	--

### Measurement accuracy

Accuracy	± 1,5 % FE
----------	------------

## Dimensions

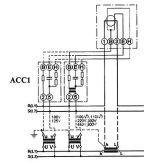
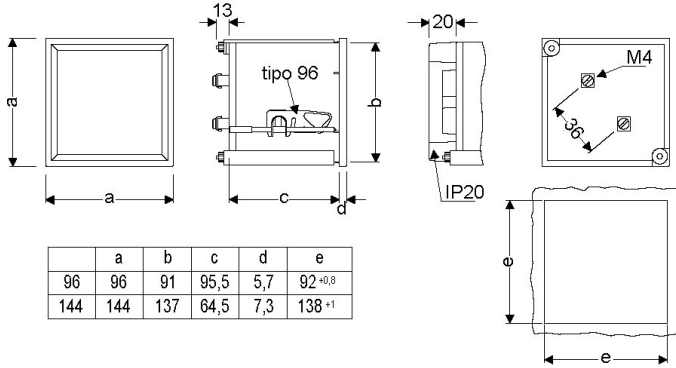
## Connections



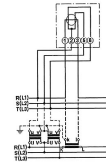
# PIC144E 400V

Phasemeters

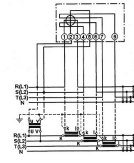
Code: M13649.



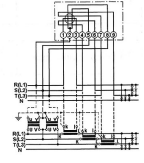
PIC 96A  
PIC 144A



PIC 96B  
PIC 144B



PIC 96C  
PIC 144C



PIC 96E  
PIC 144E