



PIC96B 230 V

PIC96B 230 V, Phasemeter

Code: M13635.

- > Scale: 360°, P1
- > System: Balanced three-phase
- > Accuracy: 1,5
- > Measurement Range (V): 230
- > Modules: 96x96

Specifications

Mechanical characteristics

Size (mm) width x height x depth	96 x 96 x 101.2 (mm)
Weight (kg)	1,41

Environmental characteristics

Protection class	Panel: IP 52 (Front), IP 00 (Terminals)
Storage temperature	-25...+40 °C
Working temperature	+10 ... +30 °C

Standards

Certifications	CE, UL
Electrical safety, Maximum height (m)	2000
Standards	BS 89, UNE-EN 60051, IEC 144, UL 94, DIN 43780, IEC 51, UNE 21318

Current measurement circuit

Consumption	4 VA
Nominal current (In)	... 5 A
Allowable overload	1,2 In permanent / 5 In during 30s / 10 In during 5s / 40 In during 1s

Voltage measurement circuit

Consumption	20 mA
Sampling frequency	49,5 ... 50,5 Hz / 59,4 ... 60,6 Hz

Electrical characteristics

Insulation voltage, circuit	2 kV a 50 Hz <1 min entre mecanismo y caja
-----------------------------	--

Measurement accuracy

Accuracy	± 1,5 % FE
----------	------------

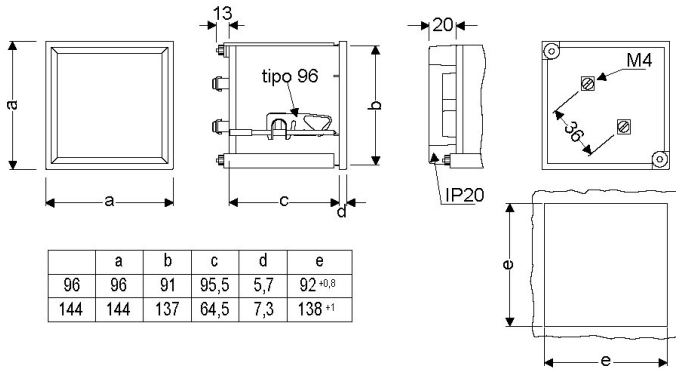


PIC96B 230 V

Phasemeters

Code: M13635.

Dimensions



Connections

