



FMZ144 100/√3

FMZ144 100/√3, Phasemeter

Code: M13541. DESCATALOGADO

- > Scale: 240° P1
- > System: Single-phase
- > Accuracy: 1,5
- > Measurement Range (V): 100/√3
- > Modules: 144x144

Description

- Does not need an auxiliary power supply
- DIN box with dimensions 96 and 144 mm.
- Precision class 1,5
- Built-in electronic converter
- Balanced single and three-phase circuits

Application

Measurement of $\cos\varphi$ in balanced or unbalanced single and three-phase circuits



FMZ144 100/√3

Phasemeters

Code: M13541.

Specifications

Mechanical characteristics

Size (mm) width x height x depth	144 x 144 x 71.8 (mm)
Fastening	Panel
Weight (kg)	0,71

Environmental characteristics

Protection class	Panel: IP 52 (Front), IP 00 (Terminals)
Storage temperature	-25...+40 °C
Working temperature	+10 ... +30 °C

Standards

Certifications	UL
Electrical safety, Maximum height (m)	2000
Standards	BS 89, UNE-EN 60051, IEC 144, UL94, DIN 43780, IEC 51, UNE 21318

Current measurement circuit

Consumption	0,75 VA
Sampling frequency	20 ... 100 Hz
Nominal current (In)	... 5 A
Allowable overload	1,2 In permanent / 5 In during 30s / 10 In during 5s / 40 In during 1s

Voltage measurement circuit

Consumption	4 VA
Sampling frequency	40 ... 70 Hz
Maximum permanent measurement voltage	1,2 Vn permanent rated voltage / 2 Vn during 5s

Electrical characteristics

Insulation voltage, circuit	2 kV, 50 Hz, 1 min entre mecanismo y caja
-----------------------------	-------------------------------------------

Measurement accuracy

Accuracy	± 1,5 % FE
----------	------------

FMZ / FTC

Single phase and three-phase 240° electronic phase-meters

CODE	TYPE	Scale	Accuracy	Modules
Single-phase				
M13537.	FMZ96 440V	240° P1	1,5	96x96



FMZ144 100/√3

Phasemeters

Code: M13541.

Current range: 0.1 to 1.2 In. For the connection of transformers .../5A. Built-in electronic transducer.

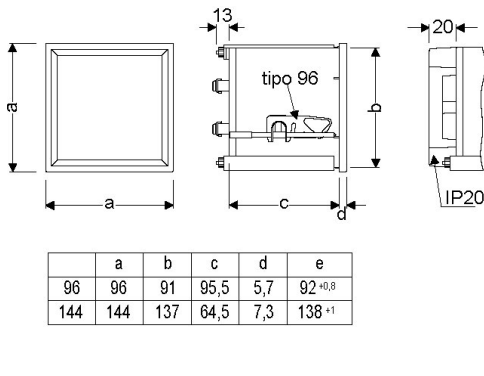


FMZ144 100/√3

Phasemeters

Code: M13541.

Dimensions



	a	b	c	d	e
96	96	91	95,5	5,7	92 ^{+0,8}
144	144	137	64,5	7,3	138 ⁺¹

Connections

