



FTZ96 100V

FTZ96 100V, Phasemeter

Code: M1353C.

- > Scale: 240° P1
- > System: Balanced three-phase
- > Accuracy: 1,5
- > Measurement Range (V): 100
- > Modules: 96x96

Description

- Does not need an auxiliary power supply
- DIN box with dimensions 96 and 144 mm.
- Precision class 1,5
- Built-in electronic converter
- Balanced single and three-phase circuits

Application

Measurement of $\cos\varphi$ in balanced or unbalanced single and three-phase circuits



FTZ96 100V

Phasemeters

Code: M1353C.

Specifications

Mechanical characteristics

| | |
|----------------------------------|---------------------|
| Size (mm) width x height x depth | 96 x 96 x 62.9 (mm) |
| Weight (kg) | 0,6 |

Environmental characteristics

| | |
|---------------------|---|
| Protection class | Panel: IP 52 (Front), IP 00 (Terminals) |
| Storage temperature | -25...+40 °C |
| Working temperature | +10 ... +30 °C |

Standards

| | |
|---------------------------------------|--|
| Certifications | UL |
| Electrical safety, Maximum height (m) | 2000 |
| Standards | BS 89, UNE-EN 60051, IEC 144, UL94, DIN 43780, IEC 51, UNE 21318 |

Current measurement circuit

| | |
|----------------------|--|
| Consumption | 0,75 VA |
| Sampling frequency | 20 ... 100 Hz |
| Nominal current (In) | ... 5 A |
| Allowable overload | 1,2 In permanent / 5 In during 30s / 10 In during 5s / 40 In during 1s |

Voltage measurement circuit

| | |
|---------------------------------------|---|
| Consumption | 4 VA |
| Sampling frequency | 40 ... 70 Hz |
| Maximum permanent measurement voltage | 1,2 Vn permanent rated voltage / 2 Vn during 5s |

Electrical characteristics

| | |
|-----------------------------|---|
| Insulation voltage, circuit | 2 kV, 50 Hz, 1 min entre mecanismo y caja |
|-----------------------------|---|

Measurement accuracy

| | |
|----------|------------|
| Accuracy | ± 1,5 % FE |
|----------|------------|

Current range: 0.1 to 1.2 In. For the connection of transformers .../5A. Built-in electronic transducer.

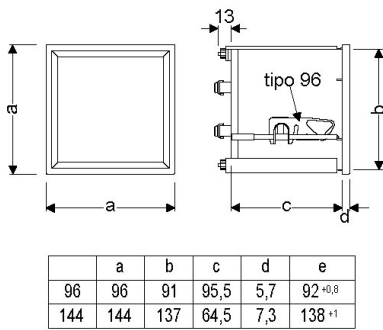


FTZ96 100V

Phasemeters

Code: M1353C.

Dimensions



Connections

