



## FETC144 230V

FETC144 230V, Phasemeter

Code: M1344E. DESCATALOGADO

- > Scale: 90° P1
- > System: Balanced three-phase
- > Accuracy: 1,5
- > Measurement Range (V): 230
- > Modules: 144x144

### Description

- Does not need an auxiliary power supply
- DIN box with dimensions 96 and 144 mm
- Class 1,5
- Built-in electronic converter
- Balanced single and three-phase circuits

### Application

Measurement of  $\cos\varphi$  in balanced or unbalanced single and three-phase circuits.



## FETC144 230V

Phasemeters

Code: M1344E.

### Specifications

#### Mechanical characteristics

Size (mm) width x height x depth	144 x 144 x 71.8 (mm)
Fastening	Panel
Weight (kg)	0,69

#### Environmental characteristics

Protection class	Panel: IP 52 (Front), IP 00 (Terminals)
Storage temperature	-25...+40 °C
Working temperature	+10 ... +30 °C

#### Standards

Certifications	CE
Electrical safety, Maximum height (m)	2000
Standards	BS 89, UNE-EN 60051, IEC 144, DIN 43780, IEC 51, UNE 21318

#### Current measurement circuit

Consumption	1,5 VA
Sampling frequency	20 ... 100 Hz
Nominal current (In)	... 5 A
Allowable overload	1,2 In permanent / 5 In during 30s / 10 In during 5s / 40 In during 1s

#### Voltage measurement circuit

Consumption	1 VA
Sampling frequency	40 ... 70 Hz
Maximum permanent measurement voltage	1,2 Vn permanent rated voltage / 2 Vn during 5s

#### Electrical characteristics

Insulation voltage, circuit	2 kV, 50 Hz, 1 min entre mecanismo y caja
-----------------------------	---

#### Measurement accuracy

Accuracy	± 1,5 % FE
----------	------------

#### FEMC / FETC

Single phase and three-phase 90° electronic phase-meters

CODE	TYPE	Scale	Accuracy	Modules
<b>Single-phase</b>				
M13434.	FEMC96 110V	90° P1	1,5	96x96



## FETC144 230V

Phasemeters

Code: M1344E.

Current range: 0.1 to 1.2 In. For the connection of transformers .../5A. Built-in electronic transducer.

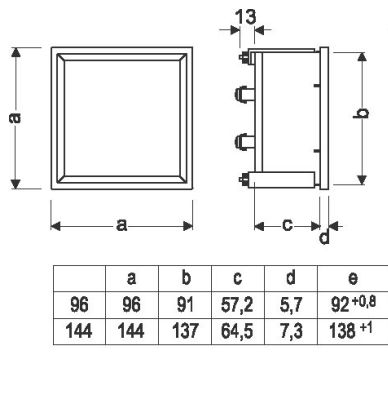


# FETC144 230V

Phasemeters

Code: M1344E.

## Dimensions



## Connections

