



YMC144 400V .../5A

YMC144 400V .../5A, Vattmeter

Code: M13241. DESCATALOGADO

- > Scale: 90° P1
- > System: Single-phase
- > Accuracy: 1,5
- > Measure: 400 Vph-ph, .../5 A
- > Device: YMC144
- > Modules: 144x144

Description

- Does not need an auxiliary power supply
- DIN box with dimensions 96 and 144.
- Class 1.5
- Built-in electronic converter
- Balanced and unbalanced single and three-phase circuits.

Application

Measurement of the power factor in balanced or unbalanced single and three-phase circuits.



YMC144 400V .../5A

Wattmeters and varmeters

Code: M13241.

Specifications

Mechanical characteristics

| | |
|----------------------------------|-----------------------|
| Size (mm) width x height x depth | 144 x 144 x 71.8 (mm) |
| Fastening | Panel |
| Weight (kg) | 0,49 |

YMC / YTC

Single-phase and three-phase varmeters

| CODE | TYPE | Scale | Accuracy | Modules | Device | Measure |
|-----------------------------|--------------------|--------|----------|---------|--------|---------------------|
| Balanced three-phase | | | | | | |
| M13232. | YTC96E 400V .../5A | 90° P1 | 1,5 | 96x96 | YTC96E | 400 Vph-ph, .../5 A |

Exchangeable scales for types YMC 96, YTC 96E and YTC 96A. Scale not included (*1) Specify primary voltage and current of the measuring transformers, and power at full scale

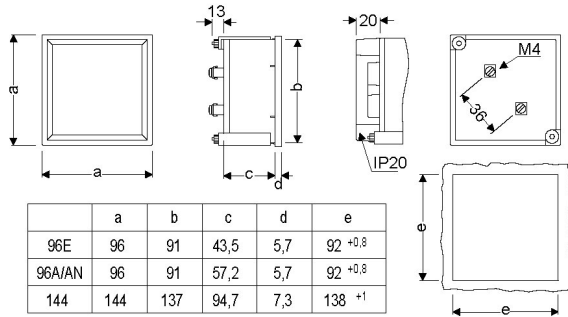


YMC144 400V .../5A

Wattmeters and varmeters

Code: M13241.

Dimensions



Connections

