

YTC96AN 400V .../5A

YTC96AN 400V .../5A, Vattmeter

Code: M13233.



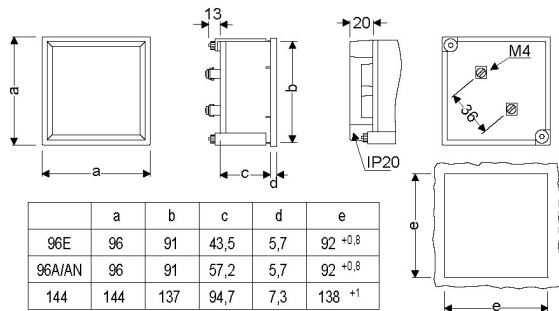
- > Scale: 90° P1
- > System: Three-phase 4 wire
- > Accuracy: 1,5
- > Measure: 400 Vph-ph, .../5 A
- > Device: YTC96AN
- > Modules: 96x96

Specifications

Mechanical characteristics

| | |
|----------------------------------|---------------------|
| Size (mm) width x height x depth | 96 x 96 x 62.9 (mm) |
| Weight (kg) | 0,43 |

Dimensions



Connections

