



## YMC96 400V .../5A

YMC96 400V .../5A, Vattmeter

Code: M13231. DESCATALOGADO

- > Scale: 90° P1
- > System: Single-phase
- > Accuracy: 1,5
- > Measure: 400 Vph-ph, .../5 A
- > Device: YMC96
- > Modules: 96x96

### Description

- Does not need an auxiliary power supply
- DIN box with dimensions 96 and 144.
- Class 1.5
- Built-in electronic converter
- Balanced and unbalanced single and three-phase circuits.

### Application

Measurement of the power factor in balanced or unbalanced single and three-phase circuits.



## YMC96 400V .../5A

Wattmeters and varmeters

Code: M13231.

### Specifications

#### Mechanical characteristics

Size (mm) width x height x depth	96 x 96 x 49.2 (mm)
Fastening	Panel
Weight (kg)	0,29

#### YMC / YTC

Single-phase and three-phase varmeters

CODE	TYPE	Scale	Accuracy	Modules	Device	Measure
<b>Balanced three-phase</b>						
M13232.	YTC96E 400V .../5A	90° P1	1,5	96x96	YTC96E	400 Vph-ph, .../5 A

Exchangeable scales for types YMC 96, YTC 96E and YTC 96A. Scale not included (\*1) Specify primary voltage and current of the measuring transformers, and power at full scale

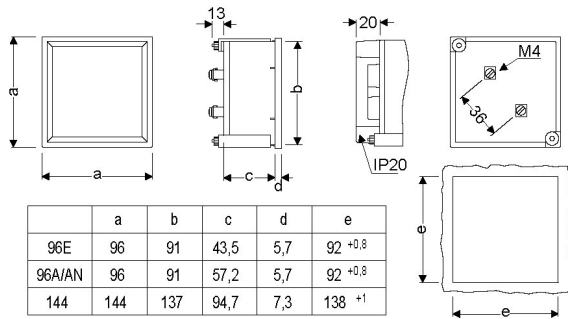


# YMC96 400V .../5A

Wattmeters and varmeters

Code: M13231.

## Dimensions



## Connections

