



WTC144AN 400V .../5A

WTC144AN 400V .../5A, Vattmeter

Code: M13043. DESCATALOGADO

- > Scale: 90° P1
- > System: Three-phase 4 wire
- > Accuracy: 1,5
- > Measure: 400 Vph-ph, .../5 A
- > Device: WTC144AN
- > Modules: 144x144

Description

- Does not need an auxiliary power supply
- DIN box with dimensions 96 and 144.
- Class 1.5
- Built-in electronic converter
- Balanced and unbalanced single and three-phase circuits.

Application

Measurement of active power in balanced or unbalanced single and three-phase circuits.



WTC144AN 400V .../5A

Wattmeters and varmeters

Code: M13043.

Specifications

Mechanical characteristics

| | |
|----------------------------------|-----------------------|
| Size (mm) width x height x depth | 144 x 144 x 71.8 (mm) |
| Fastening | Panel |
| Weight (kg) | 0,64 |

WMC / WTC

Single-phase and three-phase wattmeters

| CODE | TYPE | Scale | Accuracy | Modules | Device | Measure |
|----------------------------------|---------------------|--------|----------|---------|---------|---------------------|
| Single-phase | | | | | | |
| M13031. | WMC96 400V .../5A | 90° P1 | 1,5 | 96x96 | WMC96 | 400 Vph-ph, .../5 A |
| M13041. | WMC144 400V .../5A | 90° P1 | 1,5 | 96x96 | WMC144 | 400 Vph-ph, .../5 A |
| Balanced three-phase | | | | | | |
| M13032. | WTC96E 400V .../5A | 90° P1 | 1,5 | 96x96 | WTC96 | 400 Vph-ph, .../5 A |
| Three-phase 3 wire (ARON) | | | | | | |
| M13034. | WTC96A 110V .../5A | 90° P1 | 1,5 | 96x96 | WTC96A | 110 Vph-ph, .../5A |
| Three-phase 4 wire | | | | | | |
| M13033. | WTC96AN 400V .../5A | 90° P1 | 1,5 | 96x96 | WTC96AN | 400 Vph-ph, .../5 A |

Exchangeable scales for types WMC 96, WTC 96E and WTC 96AN. Scale not included (*) Specify primary voltage and current of the measuring transformers, and power at full scale

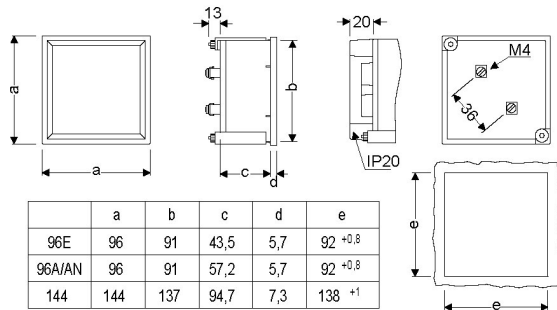


WTC144AN 400V .../5A

Wattmeters and varmeters

Code: M13043.

Dimensions



Connections

