



## WTC144AN 400V .../5A

WTC144AN 400V .../5A, Vattmeter

Code: M13043. DESCATALOGADO

- > Scale: 90° P1
- > System: Three-phase 4 wire
- > Accuracy: 1,5
- > Measure: 400 Vph-ph, .../5 A
- > Device: WTC144AN
- > Modules: 144x144

### Description

- Does not need an auxiliary power supply
- DIN box with dimensions 96 and 144.
- Class 1.5
- Built-in electronic converter
- Balanced and unbalanced single and three-phase circuits.

### Application

Measurement of active power in balanced or unbalanced single and three-phase circuits.



## WTC144AN 400V .../5A

Wattmeters and varmeters

Code: M13043.

### Specifications

#### Mechanical characteristics

Size (mm) width x height x depth	144 x 144 x 71.8 (mm)
Fastening	Panel
Weight (kg)	0,64

#### WMC / WTC

Single-phase and three-phase wattmeters

CODE	TYPE	Scale	Accuracy	Modules	Device	Measure
<b>Single-phase</b>						
M13031.	WMC96 400V .../5A	90° P1	1,5	96x96	WMC96	400 Vph-ph, .../5 A
M13041.	WMC144 400V .../5A	90° P1	1,5	96x96	WMC144	400 Vph-ph, .../5 A
<b>Balanced three-phase</b>						
M13032.	WTC96E 400V .../5A	90° P1	1,5	96x96	WTC96	400 Vph-ph, .../5 A
<b>Three-phase 3 wire (ARON)</b>						
M13034.	WTC96A 110V .../5A	90° P1	1,5	96x96	WTC96A	110 Vph-ph, .../5A
<b>Three-phase 4 wire</b>						
M13033.	WTC96AN 400V .../5A	90° P1	1,5	96x96	WTC96AN	400 Vph-ph, .../5 A

Exchangeable scales for types WMC 96, WTC 96E and WTC 96AN. Scale not included (\*) Specify primary voltage and current of the measuring transformers, and power at full scale

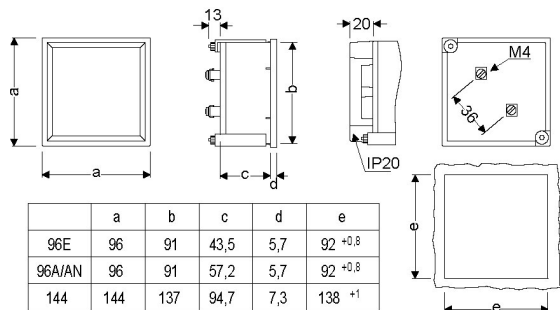


# WTC144AN 400V .../5A

Wattmeters and varmeters

Code: M13043.

## Dimensions



## Connections

