



HZC 144

HZC 144, Frecuencymeter

Code: M12841.

- > Scale: 240°
- > Accuracy: 0,5
- > Measure: 45...55 Hz
- > Frequency (Hz): 45...55
- > Modules: 144x144

Specifications

Mechanical characteristics

Size (mm) width x height x depth	144 x 144 x 102 (mm)
Weight (kg)	0,52

Environmental characteristics

Protection class	Panel: IP 52 (Front), IP 00 (Terminals)
Storage temperature	-25...+40 °C
Operating temperature	+10 ... +30 °C

Standards

Certifications	UL
Electrical safety, Maximum height (m)	2000
Standards	BS 89, UNE-EN 60051, IEC 144, UL94, DIN 43780, IEC 51, UNE 21318

Current measurement circuit

Allowable overload	1,5 In permanent / 15 In during 1s
--------------------	------------------------------------

Voltage measurement circuit

Consumption	2 ... 3 VA
Sampling frequency	50 ... 400 Hz
Nominal voltage	230 V ~

Electrical characteristics

Insulation voltage, circuit	2kV a 50 Hz < 1min entre mecanismo y caja
-----------------------------	---

Measurement accuracy

Accuracy	0,5 % FE
----------	----------

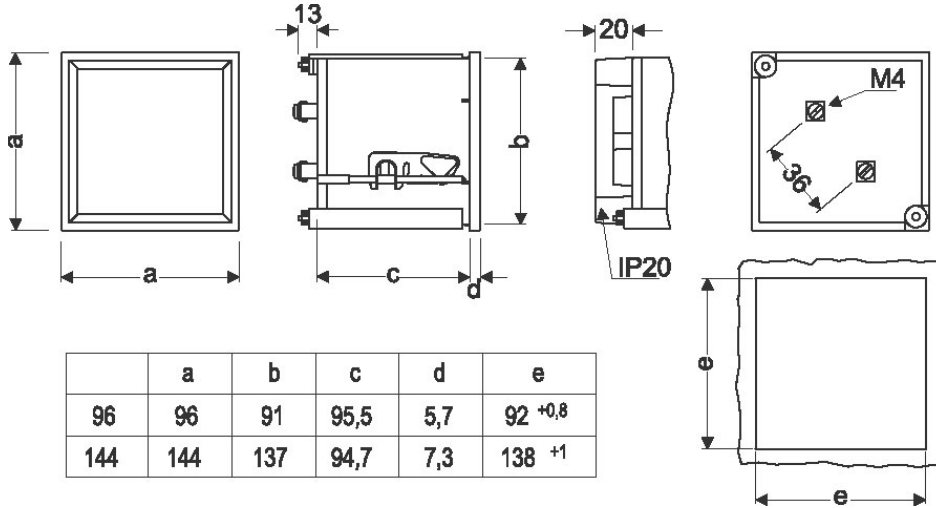
Dimensions



HZC 144

Frequencymeters

Code: M12841.



	a	b	c	d	e
96	96	91	95,5	5,7	92 ^{+0,8}
144	144	137	94,7	7,3	138 ⁺¹