



ZC144 0...10V

ZC144 0...10V, Process indicator

Code: M12543.

- > Scale: 240° P1
- > Accuracy: 1,5
- > Full scale: 0...10 V
- > Modules: 144x144

Description

- Does not need an auxiliary power supply.
- DIN boxes with dimensions 48, 72, 96 and 144 mm.
- Precision class 1,5
- Measurement in D.C. of 0 ... 10 V, 0/4 ... 20 mA, .../60 mV
- Exchangeable scales for BC48, BC72, BC96, BM 45

Application

For the measurement of the mean value of voltages and currents in direct current circuits, even of the pulsating type, in a vast margin of values.



ZC144 0...10V

Process indicator

Code: M12543.

Specifications

Mechanical characteristics

Size (mm) width x height x depth	144 x 144 x 71.8 (mm)
Weight (kg)	0,42



ZC144 0...10V

Process indicator

Code: M12543.

ZC

Process indicators, 240°

CODE	TYPE	Scale	Accuracy	Modules	Full scale
M12523.	ZC72 0...10V	240° P1	1,5	72x72	0...10 V
M12521.	ZC72 4...20mA	240° P1	1,5	72x72	4...20 mA
M12520.	ZC72 .../60mV	240° P1	1,5	72x72	.../60 mV
M12533.	ZC96 0...10V	240° P1	1,5	96x96	0...10 V
M12531.	ZC96 4...20mA	240° P1	1,5	96x96	4...20 mA
M12530.	ZC96 .../60mV	240° P1	1,5	96x96	...60 mV
M12543.	ZC144 0...10V	240° P1	1,5	144x144	0...10 V
M12541.	ZC144 4...20mA	240° P1	1,5	144x144	4...20 mA
M12540.	ZC144 .../60mV	240° P1	1,5	144x144	.../60 mV

Scales included in the price (*) The 6-digit code includes the 4 ... 20 mA scale

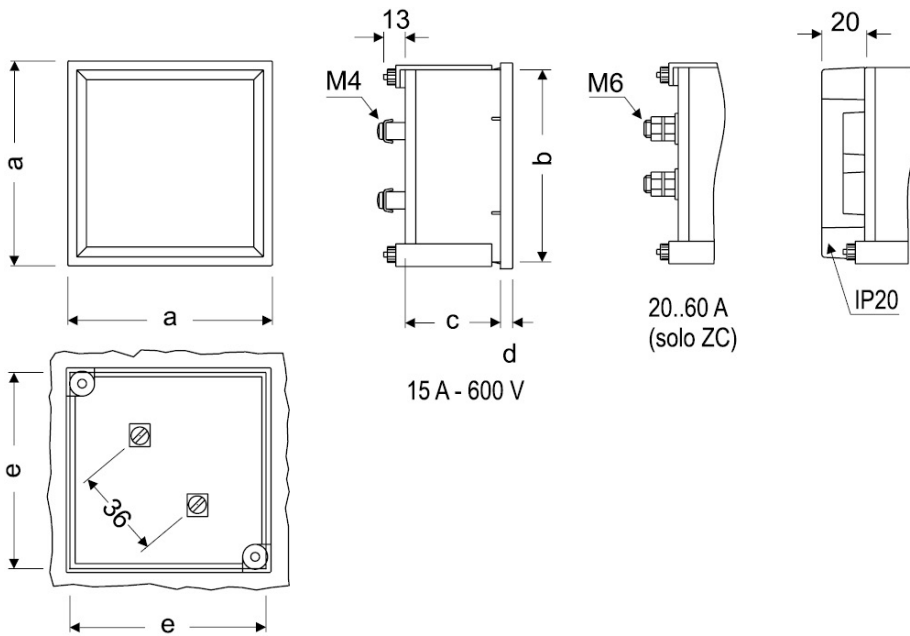


ZC144 0...10V

Process indicator

Code: M12543.

Dimensions



Type	Fig. ZC	Fig. EZC	a	b	c	d	e
48	1	-	48	44,7	61	5,2	45
72	1	1	72	67,2	43,5	5,7	68
96	1	1	96	91	43,5	5,7	92
144	1	-	144	137	64,5	7,3	138