



BMSC45 4...20mA

BMSC45 4...20mA, Process Indicator

Code: M11861.

- > Scale: 90°, P1
- > Accuracy: 1,5
- > Full scale: 4...20 mA

Description

- Does not need an auxiliary power supply
- Precision class 1.5
- Measurement in DC of 0 ... 10 V, 0/4 ... 20 mA, .../60 mV
- Exchangeable scales

Application

For the measurement of the mean value of voltages and currents in direct current circuits, even of the pulsating type, in a vast margin of values.



BMSC45 4...20mA

Process indicators

Code: M11861.

Specifications

Mechanical characteristics

Size (mm) width x height x depth	85 x 65 x 52 (mm)
Fastening	DIN rail
Weight (kg)	0,11

Environmental characteristics

Protection class	DIN rail: IP 52 (front), IP 00 (terminals)
Storage temperature	-25...+40 °C
Working temperature	+10 ... +30 °C

Standards

Certifications	CE, UL
Electrical safety, Maximum height (m)	2000
Standards	BS 89, UNE-EN 60051, IEC 144, UL94, DIN 43780, IEC 51, UNE 21318

Voltage measurement circuit

Consumption	1000 Ω/V
Maximum permanent measurement voltage	1,2 Vn / 2 Vn during 5s

Electrical characteristics

Insulation voltage, circuit	2 kV a 50Hz < 1 min entre mecanismo y caja
-----------------------------	--

Measurement accuracy

Accuracy	1,5 % FE
----------	----------

BMSC-IP

Process indicators, 90°

CODE	TYPE	Scale	Accuracy	Full scale
M11863.	BMSC45 0...10V	90°, P1	1,5	0...10 V
M11862.	BMSC45 0...20mA	90°, P1	1,5	0...20 mA
M11861.	BMSC45 4...20mA	90°, P1	1,5	4...20 mA

Scales included in the price (*) The 6-digit code includes the 4 ... 20 mA scale

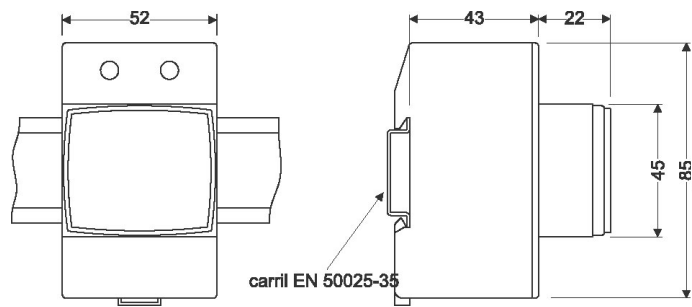


BMSC45 4...20mA

Process indicators

Code: M11861.

Dimensions



Connections

