



## BMSC45 600V

---

BMSC45 600V, Voltmeter

Code: M1176F.

- > Scale: 90°, P1
- > Accuracy: 1,5
- > Measurement Range (V): 600
- > Device: BMSC45

### Description

---

- No need for auxiliary power supply,
- Precision class 1.5
- Measurement in DC 25  $\mu$ A ... 60 A, or ... 60 mV
- Exchangeable scales

### Application

---

In direct current applications, to control the state of the current quickly and visually.



## BMSC45 600V

Moving coil voltmeters

Code: M1176F.

### Specifications

#### Mechanical characteristics

Size (mm) width x height x depth	85 x 65 x 52 (mm)
Weight (kg)	0,15

#### Environmental characteristics

Protection class	DIN rail: IP 52 (front), IP 00 (terminals)
Storage temperature	-25...+40 °C
Working temperature	+10 ... +30 °C

#### Standards

Certifications	CE, UL
Electrical safety, Maximum height (m)	2000
Standards	BS 89, UNE-EN 60051, IEC 144, UL94, DIN 43780, IEC 51, UNE 21318

#### Voltage measurement circuit

Consumption	1000 Ω/V
Sampling frequency	20 ... 100 Hz
Maximum permanent measurement voltage	1,2 Vn / 2 Vn during 5s

#### Electrical characteristics

Insulation voltage, circuit	2 kV a 50Hz < 1 min entre mecanismo y caja
-----------------------------	--

#### Measurement accuracy

Accuracy	1,5 % FE
----------	----------

#### BMSC-V

DC measuring voltmeters

CODE	TYPE	Scale	Accuracy	Device
M11764.	BMSC45 15V	90° , P1	1,5	BMSC45
M11765.	BMSC45 30V	90° , P1	1,5	BMSC45
M11766.	BMSC45 60V	90° , P1	1,5	BMSC45
M11767.	BMSC45 100V	90° , P1	1,5	BMSC45
M11768.	BMSC45 150V	90° , P1	1,5	BMSC45
M1176F.	BMSC45 600V	90° , P1	1,5	BMSC45

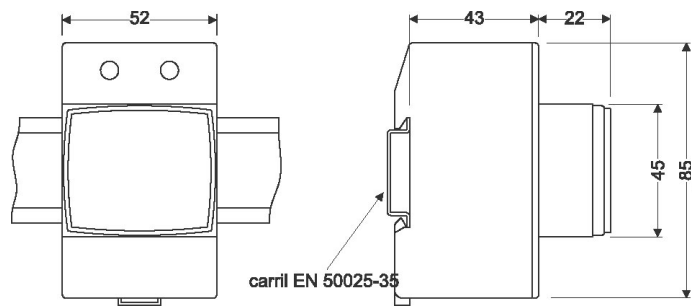


## BMSC45 600V

Moving coil voltmeters

Code: M1176F.

### Dimensions



### Connections

