



## BMSC45 5A

---

BMSC45 5A, Ammeter

Code: M11462.

- > Scale: 90°, P1
- > Accuracy: 1,5
- > Measurement Range (A): 5
- > Device: BMSC45

### Description

---

- No need for auxiliary power supply
- Precision class 1.5
- Measurement in DC 25  $\mu$ A ... 60 A, or ... 60 mV
- Exchangeable scales

### Application

---

In direct current applications, to control the state of the current quickly and visually.



## BMSC45 5A

Moving coil ammeters

Code: M11462.

### Specifications

#### Mechanical characteristics

Size (mm) width x height x depth	85 x 52 x 65 (mm)
Weight (kg)	0,11

#### Environmental characteristics

Protection class	Panel: IP 52 (Front), IP 00 (Terminals)
Storage temperature	-25...+40 °C
Working temperature	+10 ... +30 °C

#### Standards

Certifications	CE, UL
Electrical safety, Maximum height (m)	2000
Standards	BS 89, UNE-EN 60051, IEC 144, UL94, DIN 43780, IEC 51, UNE 21318

#### Current measurement circuit

Consumption	60 mV
Allowable overload	1,2 In permanent / 5 In during 30s / 10 In during 5s / 40 In during 1s

#### Electrical characteristics

Insulation voltage, circuit	2 kV a 50Hz < 1 min entre mecanismo y caja
-----------------------------	--

#### Measurement accuracy

Accuracy	1,5 % FE
----------	----------

#### BMSC-A

Moving coil ammeters (dc)

CODE	TYPE	Scale	Accuracy	Measurement Range (A)	Device
M11462.	BMSC45 5A	90° , P1	1,5	5	BMSC45
M11463.	BMSC45 10A	90° , P1	1,5	10	BMSC45
M11466.	BMSC45 25A	90° , P1	1,5	25	BMSC45
M11460.	BMSC45 .../60mV	90° , P1	1,5	.../60mV	BMSC45

Exchangeable scales. External shunts, see section Measuring current transformers and shunts

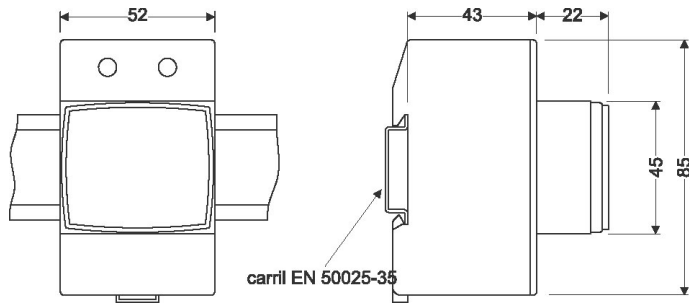


# BMSC45 5A

Moving coil ammeters

Code: M11462.

## Dimensions



## Connections

