



BMSC45 .../60mV

BMSC45 .../60mV, ammeter

Code: M11460. DESCATALOGADO

- > Scale: 90°, P1
- > Accuracy: 1,5
- > Measurement Range (A): .../60mV
- > Device: BMSC45

Description

- No need for auxiliary power supply
- Precision class 1.5
- Measurement in DC 25 μ A ... 60 A, or ... 60 mV
- Exchangeable scales

Application

In direct current applications, to control the state of the current quickly and visually.



BMSC45 .../60mV

Moving coil ammeters

Code: M11460.

Specifications

Mechanical characteristics

Size (mm) width x height x depth	85 x 52 x 65 (mm)
Weight (kg)	0,11

Environmental characteristics

Protection class	Panel: IP 52 (Front), IP 00 (Terminals)
Storage temperature	-25...+40 °C
Working temperature	+10 ... +30 °C

Standards

Certifications	CE
Electrical safety, Maximum height (m)	2000
Standards	BS 89, UNE-EN 60051, IEC 144, DIN 43780, IEC 51, UNE 21318

Current measurement circuit

Consumption	60 mV
Allowable overload	1,2 In permanent / 5 In during 30s / 10 In during 5s / 40 In during 1s

Electrical characteristics

Insulation voltage, circuit	2 kV a 50Hz < 1 min entre mecanismo y caja
-----------------------------	--

Measurement accuracy

Accuracy	1,5 % FE
----------	----------

Exchangeable scales. External shunts, see section Measuring current transformers and shunts

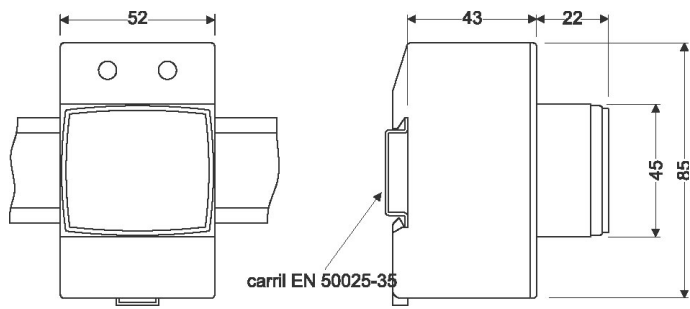


BMSC45 .../60mV

Moving coil ammeters

Code: M11460.

Dimensions



Connections

