

## EZC96 .../5A

EZC96 .../5A, Ammeter

Code: M10930.

- > Scale: 240°, P2
- > Accuracy: 5
- > Measurement Range (A): .../5 A
- > Modules: 96x96

## Specifications

### Mechanical characteristics

Size (mm) width x height x depth	96 x 96 x 49.2 (mm)
Fastening	Panel
Weight (kg)	0,144

### Environmental characteristics

Protection class	Panel: IP 52 (Front), IP 00 (Terminals)
Storage temperature	-25...+40 °C
Working temperature	+10 ... +30 °C

### Standards

Certifications	CE, UL
Electrical safety, Maximum height (m)	2000
Standards	BS 89, UNE-EN 60051, IEC 144, UL94, DIN 43780, IEC 51, UNE 21318

### Current measurement circuit

Consumption	0,3 ... 1,5 VA
Sampling frequency	20...100 Hz
Allowable overload	1,2 In permanent / 5 In during 30s / 10 In during 5s / 40 In during 1s

### Electrical characteristics

Insulation voltage, circuit	2 KV, 50 HZ <1 min entre mecanismo y caja
-----------------------------	---

### Measurement accuracy

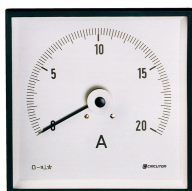
Accuracy	5 % FE
----------	--------

### EZC-A

Moving Iron Ammeter (ac) 240 °

CODE	TYPE	Scale	Accuracy	Measurement Range (A)	Modules
M10920.	EZC72 .../5A	240°, P2	5	.../5 A	72x72
M10930.	EZC96 .../5A	240°, P2	5	.../5 A	96x96

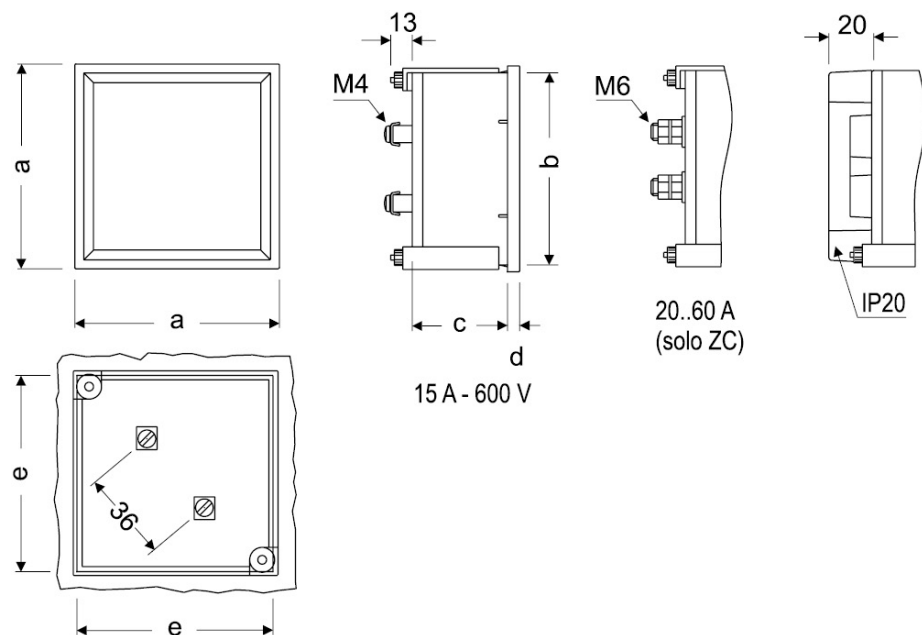
Exchangeable scales. See next page Indicate transformer ratio



## EZC96 .../5A

Code: M10930.

### Dimensions



Type	Fig. ZC	Fig. EZC	a	b	c	d	e
48	1	-	48	44,7	61	5,2	45
72	1	1	72	67,2	43,5	5,7	68
96	1	1	96	91	43,5	5,7	92
144	1	-	144	137	64,5	7,3	138