



## EC72 FA .../5 A

EC72 FA .../5 A, Ammeter

Code: M10521.

- > Scale: 90°, P2
- > Accuracy: 1,5
- > Measurement Range (A): .../5 A
- > Modules: 72x72

### Description

- No need for auxiliary power supply, only the CEC 96 type.
- DIN boxes with dimensions: 48, 72, 96 and 144.
- Measurement in true root mean square 100 mA . 100 A
- Exchangeable scales for EC48, EC72, EC96, EM 45, EC 72 FA, EC 96 FA
- The alarm system can be fully configured for CEC 96

### Application

In alternating current applications, to control the state of the current quickly and visually.



## EC72 FA .../5 A

Code: M10521.

### Specifications

#### Mechanical characteristics

Size (mm) width x height x depth	72 x 72 x 49.2 (mm)
Fastening	Panel
Weight (kg)	0,141

#### Environmental characteristics

Protection class	Panel: IP 52 (Front), IP 00 (Terminals)
Storage temperature	-25...+40 °C
Working temperature	+10 ... +30 °C

#### Standards

Certifications	CE, UL
Electrical safety, Maximum height (m)	2000
Standards	BS 89, UNE-EN 60051, IEC 144, UL94, DIN 43780, IEC 51, UNE 21318

#### Current measurement circuit

Consumption	0,3 ... 1,5 VA
Sampling frequency	20...100 Hz
Allowable overload	1,2 In permanent / 5 In during 30s / 10 In during 5s / 40 In during 1s

#### Electrical characteristics

Insulation voltage, circuit	2 KV, 50 HZ <1 min entre mecanismo y caja
-----------------------------	---

#### Measurement accuracy

Accuracy	1,5 % FE
----------	----------

#### EC-FA-A

Ammeters with phase switch (ac), moving iron

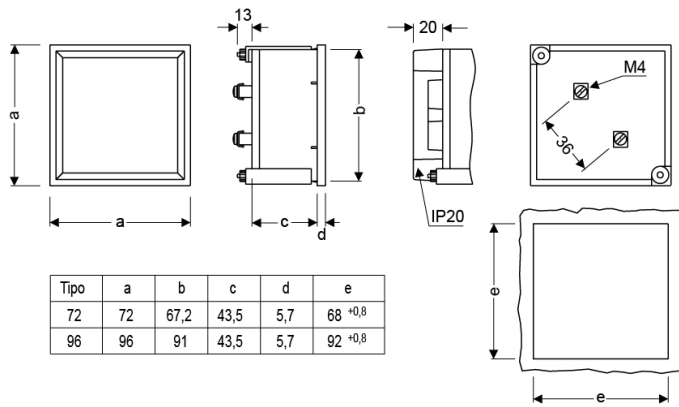
CODE	TYPE	Scale	Accuracy	Measurement Range (A)	Modules
M10521.	EC72 FA .../5 A	90°, P2	1,5	.../5 A	72x72
M10531.	EC96 FA .../5 A	90°, P2	1,5	.../5 A	96x96



# EC72 FA .../5 A

Code: M10521.

## Dimensions



Tipo	a	b	c	d	e
72	72	67,2	43,5	5,7	68 <sup>+0,8</sup>
96	96	91	43,5	5,7	92 <sup>+0,8</sup>

## Connections

