



EMSC45 150mA

EMSC45 150mA, Ammeter

Code: M10162.

- > Scale: 90°, P2
- > Accuracy: 1,5
- > Measurement Range (A): 0,15

Description

- No auxiliary power needed
- Accuracy class 1.5
- True root mean square value of 100 mA... 600 mA
- Interchangeable scales

Application

Alternating current applications to quickly and visually monitor the status of the current.



EMSC45 150mA

Moving-iron ammeters (AC)

Code: M10162.

Specifications

Mechanical characteristics

| | |
|----------------------------------|-------------------|
| Size (mm) width x height x depth | 85 x 52 x 65 (mm) |
| Weight (kg) | 0,142 |

Environmental characteristics

| | |
|---------------------|--|
| Protection class | DIN rail: IP 52 (front), IP 00 (terminals) |
| Storage temperature | -25...+40 °C |
| Working temperature | +10 ... +30 °C |

Standards

| | |
|---------------------------------------|--|
| Certifications | CE, UL |
| Electrical safety, Maximum height (m) | 2000 |
| Standards | BS 89, UNE-EN 60051, IEC 144, UL94, DIN 43780, IEC 51, UNE 21318 |

Current measurement circuit

| | |
|--------------------|--|
| Consumption | 0,3 ... 1,5 VA |
| Sampling frequency | 20...100 Hz |
| Allowable overload | 1,2 In permanent / 5 In during 30s / 10 In during 5s / 40 In during 1s |

Electrical characteristics

| | |
|-----------------------------|---|
| Insulation voltage, circuit | 2 KV, 50 HZ <1 min entre mecanismo y caja |
|-----------------------------|---|

Measurement accuracy

| | |
|----------|----------|
| Accuracy | 1,5 % FE |
|----------|----------|

EMSC-mA

Moving Iron Milliammeters

| CODE | TYPE | Scale | Accuracy | Measurement Range (A) |
|---------|--------------|---------|----------|-----------------------|
| M10161. | EMSC45 100mA | 90°, P2 | 1,5 | 0,1 |
| M10162. | EMSC45 150mA | 90°, P2 | 1,5 | 0,15 |
| M10164. | EMSC45 250mA | 90°, P2 | 1,5 | 0,25 |
| M10165. | EMSC45 300mA | 90°, P2 | 1,5 | 0,3 |
| M10166. | EMSC45 400mA | 90°, P2 | 1,5 | 0,4 |
| M10167. | EMSC45 500mA | 90°, P2 | 1,5 | 0,5 |
| M10168. | EMSC45 600mA | 90°, P2 | 1,5 | 0,6 |

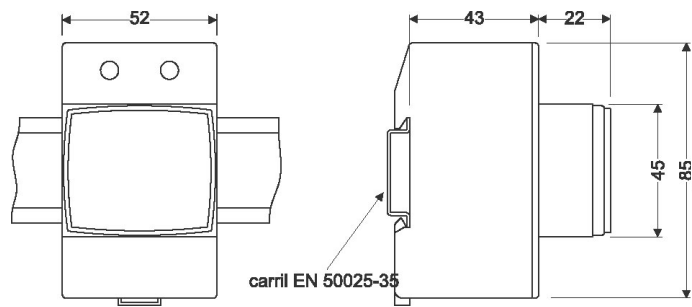


EMSC45 150mA

Moving-iron ammeters (AC)

Code: M10162.

Dimensions



Connections

