

## STM-S-24-485

---

STM-S-24-485

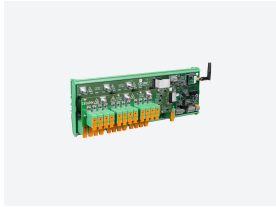
Code: E85SE1. DESCATALOGADO

- > Protocol: Modbus-RTU
- > Communications: RS-485
- > Digital inputs: 3
- > Measure: 30 A
- > Power supply (Vac): 24 Vdc
- > Mounting: DIN rail

### Application

---

Supervision of photovoltaic strings in solar farms and self-consumption installations



## STM-S-24-485

Analyser for photovoltaic strings

Code: E85SE1.

### Specifications

#### DC power supply

|                       |                |
|-----------------------|----------------|
| Installation category | CAT II 1500 V  |
| Consumption           | 3.6 W          |
| Nominal voltage       | 24 V $\pm$ 10% |

#### Mechanical characteristics

|                                  |                               |
|----------------------------------|-------------------------------|
| Size (mm) width x height x depth | 337.5 x 114 x 94.5 (mm)       |
| Envelope                         | Self-extinguishing V0 plastic |
| Fastening                        | DIN rail                      |
| Weight (kg)                      | 0,82                          |

#### Environmental characteristics

|  |              |
|--|--------------|
| Protection class                         | IP 00        |
| Relative humidity (without condensation) | 5 ... 95 %   |
| Installation, location, position.        | 3000 m       |
| Storage temperature                      | -25...+80 °C |
| Working temperature                      | -25...+70 °C |

#### Current measurement circuit

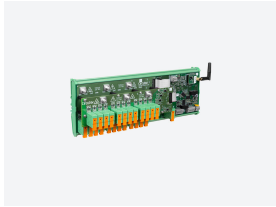
|                               |                    |
|-------------------------------|--------------------|
| Installation category         | CAT II 1500 V      |
| Consumption                   | 1 Chanel: 1.0125 W |
| Impedance                     | 0.5 m $\Omega$     |
| Phase current measuring range | 0.1 ... 30 A DC    |
| Minimum current measurement   | 0.1 A              |

#### Voltage measurement circuit

|                                      |                   |
|--------------------------------------|-------------------|
| Installation category                | CAT II 1500 V     |
| Input impedance                      | 2400 k $\Omega$   |
| Voltage measuring range              | -25 ... -1500 Vdc |
| Maximum input voltage consumption    | 0,625 mA          |
| Minimum measurement voltage (Vstart) | -25 V             |

#### Input

|            |               |
|------------|---------------|
| Accuracy   | $\pm$ 3°C     |
| Range      | -30 ... 100°C |
| Resolution | $\pm$ 0,1 mA  |
| Type       | Pt100/1000    |



## STM-S-24-485

Analyser for photovoltaic strings

Code: E85SE1.

### Standards

|  |   |
|--|---|
| Electrical safety, Maximum height (m)    | 3000  |
| Electrical safety, Installation category | Protection against electric shock: Double class II insulation |
| Standards                                | EN 61000-6-2, EN 61000-6-4, EN 61010-1, EN 61010-2-30         |

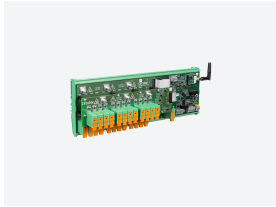
### User interface

|     |   |
|-----|---|
| LED | 4 |
|-----|---|

### Digital inputs

|                               |                        |
|-------------------------------|------------------------|
| Input/output insulation       | Optoisolated           |
| Quantity                      | 3                      |
| Type                          | Potential free contact |
| Maximum short-circuit current | 3.2 mA                 |
| Maximum open circuit voltage  | 24 V                   |

The minimum configuration of the STM solution is made up of an STM-C module and an STM-S module

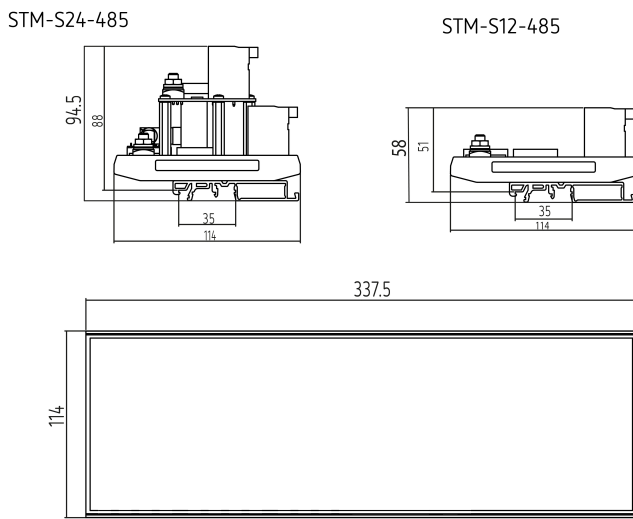


# STM-S-24-485

Analysers for photovoltaic strings

Code: E85SE1.

## Dimensions



## Connections

