

## STM-S-12-F915

---

STM-S-12-F915

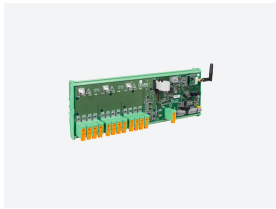
Code: E85SC4. **DESCATALOGADO**

- > Communications: LoRa-915 MHz.
- > Digital inputs: 3
- > Measure: 45 A
- > Power supply (Vac): 24 Vdc
- > Mounting: DIN rail

### Application

---

Supervision of photovoltaic strings in solar farms and self-consumption installations



## STM-S-12-F915

Analyser for photovoltaic strings

Code: E85SC4.

### Specifications

#### DC power supply

Installation category	CAT II 1500 V
Consumption	3.6 W
Nominal voltage	24 Vdc $\pm$ 10 %

#### Mechanical characteristics

Size (mm) width x height x depth	362 x 114 x 58 (mm)
Envelope	Self-extinguishing V0 plastic
Fastening	DIN rail
Weight (kg)	0,535

#### Environmental characteristics

Protection class	IP 00
Relative humidity (without condensation)	5 ... 95 %
Installation, location, position.	3000 m
Storage temperature	-25...+80 °C
Working temperature	-25...+70 °C

#### Current measurement circuit

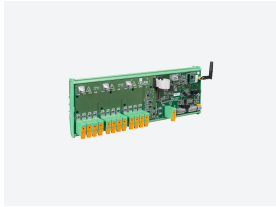
Installation category	CAT II 1500 V
Consumption	1 Chanel: 1.0125 W
Impedance	0.5 m $\Omega$
Phase current measuring range	0.1 ... 45 A DC
Minimum current measurement	0.1 A

#### Voltage measurement circuit

Installation category	CAT II 1500 V
Input impedance	2400 k $\Omega$
Voltage measuring range	-25 ... -1500 Vdc
Maximum input voltage consumption	0,625 mA
Minimum measurement voltage (Vstart)	-25 V

#### Input

Accuracy	$\pm$ 3°C
Range	-30 ... 100°C
Resolution	$\pm$ 0,1 mA
Type	Pt100/1000



## STM-S-12-F915

Analyser for photovoltaic strings

Code: E85SC4.

### Standards

Electrical safety, Maximum height (m)	3000
Electrical safety, Installation category	Protection against electric shock: Double class II insulation
Standards	EN 61000-6-2, EN 61000-6-4, EN 61010-1, EN 61010-2-30

### User interface

LED	4
-----	---

### Digital inputs

Input/output insulation	Optoisolated
Quantity	3
Type	Potential free contact
Maximum short-circuit current	3.2 mA
Maximum open circuit voltage	24 V

The minimum configuration of the STM solution is made up of an STM-C module and an STM-S module

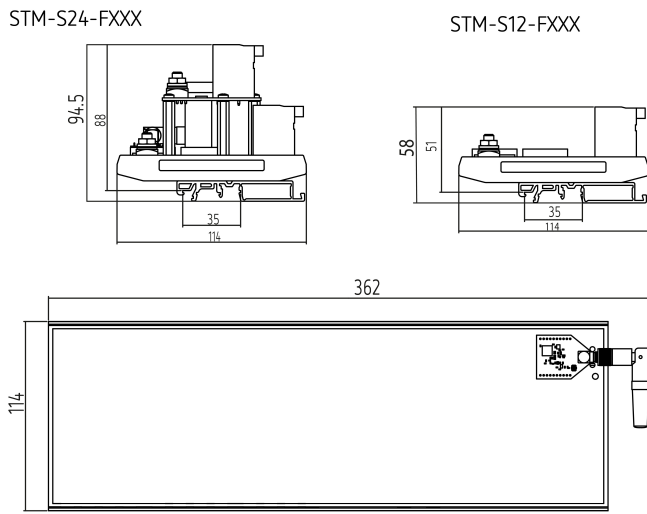


# STM-S-12-F915

Analyser for photovoltaic strings

Code: E85SC4.

## Dimensions



## Connections

