



## STM-CH-LoRa-F915

STM-CH-LoRa-F915, LoRa control module with Hall effect transformers for measuring current, 915 MHz frequency,

Code: E82CH20020000 DESCATALOGADO

### Specifications

#### DC power supply

Installation category	CAT III 1000 V
Consumption	4.2 W
Nominal voltage	24 V $\pm$ 10%

#### Mechanical characteristics

Size (mm) width x height x depth	100 x 127.8 x 72.35 (mm)
Envelope	Self-extinguishing V0 plastic
Fastening	DIN rail
Weight (kg)	0,19

#### Environmental characteristics

Protection class	IP 00
Relative humidity (without condensation)	95%
Installation, location, position.	2000 m
Storage temperature	20...80 °C
Working temperature	-20...70 °C

#### Current measurement circuit

Start-up current (Ist)	2 A
Installation category	CAT II 1000 V
Impedance	300 k $\Omega$
Phase current measuring range	25 A channel, 2 ... 25 Adc 50 A channel, 2 ... 50 Adc 200 A channel, 2 ...100 Adc

#### Voltage measurement circuit

Installation category	CAT III 1000 V
Input impedance	3200 k $\Omega$
Voltage measuring range	10...1500 Vdc
Maximum input voltage consumption	0,5 mA
Minimum measurement voltage (Vstart)	10 V

#### Input

Accuracy	$\pm$ 3°C
Range	-25 ... 100°C
Resolution	$\pm$ 0,1 mA
Type	Pt100/1000



## STM-CH-LoRa-F915

Code: E82CH20020000

### Standards

Electrical safety, Installation category	Protection against electric shock: Double class II insulation
Standards	EN 61000-6-2, EN 61000-6-4, EN 61010-1, EN 61010-2-30

### User interface

LED	7
-----	---

### Analogue inputs

Input impedance	150 $\Omega$
Nominal range	0...20 mA / 4...20 mA
Nominal input range	0...20 mA / 4...20 mA
Measurement type	Current
Maximum allowable neutral current	20 mA
Accuracy	$\pm 0,1$ mA

### Digital inputs

Input/output insulation	Optoisolated
Quantity	4
Type	Potential free contact
Maximum short-circuit current	6 mA
Maximum open circuit voltage	24 V

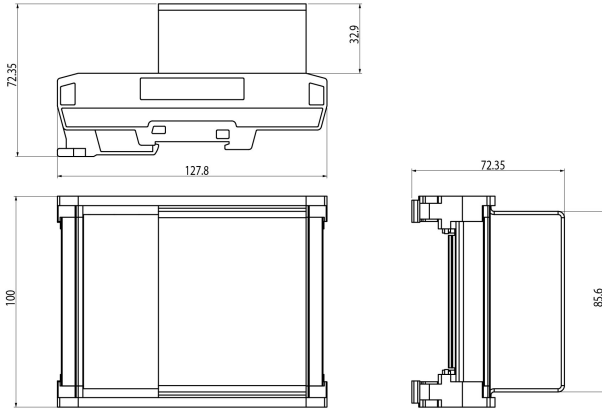
The minimum configuration of the STM solution is made up of an STM-CH module and an STM-SH module



# STM-CH-LoRa-F915

Code: E82CH20020000

## Dimensions



## Connections

