



STM-C-LoRa

Unit control module for monitoring photovoltaic installations with LoRa communication.

Code: E82C10. **DESCATALOGADO**

Description

STM is smart analyser that supports up to 32 channels. Designed specifically to supervise photovoltaic strings, the **STM** allows for the maximum performance of the photovoltaic array thanks to its high measuring accuracy.

The solution consists of different modules:

STM-C: Smart module that is able to calculate powers, compare string performances, detect reverse currents, etc. It also features:

- One 1,500 VDC input
- Four voltage-free digital inputs
- One analogue input 0/4...20 mA
- One input for Pt100 or Pt1000
- A LoRa wireless communications module

STM-S: Current measurement module with 4 measurement channels of up to 42 A each. Up to 8

STM-S modules can be connected to obtain 32 channels.

Its modularity, flexibility of installation, smart characteristics and robustness make the **STM** the perfect piece of equipment to supervise the correct operation of the photovoltaic array.

Application

Supervision of photovoltaic strings in solar farms and self-consumption installations



STM-C-LoRa

Analyser for photovoltaic strings

Code: E82C10.

Specifications

Mechanical characteristics

Size (mm) width x height x depth

100 x 127.8 x 72.35 (mm)

The minimum configuration of the STM solution is made up of an STM-C module and an STM-S module

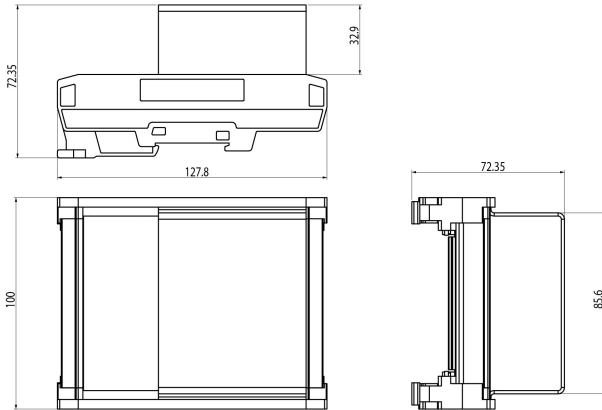


STM-C-LoRa

Analyser for photovoltaic strings

Code: E82C10.

Dimensions



Connections

