



## CDP-0

---

CDP-0, Dynamic power controller, zero injection,

Code: E51001. **DESCATALOGADO**

### Description

---

**CDP-0** is a dynamic power controller which modifies the MPPT (Maximum Power Point Tracker) of the inverters in order to regulate the PV generation according the energy consumption of the user.

Some of the main features of the **CDP-0** are:

- Web monitoring (smart-phone, tablet or PC).
- Data logger and file downloading (.csv) through any web browser.
- Web configuration of many parameters.
- Display with on-line data of PV production, user consumption and grid consumption.
- Capability to use external power analyzers to add features.
- Double protection against grid injection.
- MODBUS/TCP communications to allow SCADA integrations.

### Application

---

- Self-consumption PV installations without grid injection
- PV installations with a monitoring system
- PV installations with a grid injection control regulation
- Remote monitoring systems and energy balance trending (with or without grid injection)



## CDP-0

Dynamic power controller

Code: E51001.

## Specifications

### Mechanical characteristics

Size (mm) width x height x depth	105 x 90 x 65 (mm)
Weight (kg)	0,32

Requires MC (.../250 mA) series current transformers

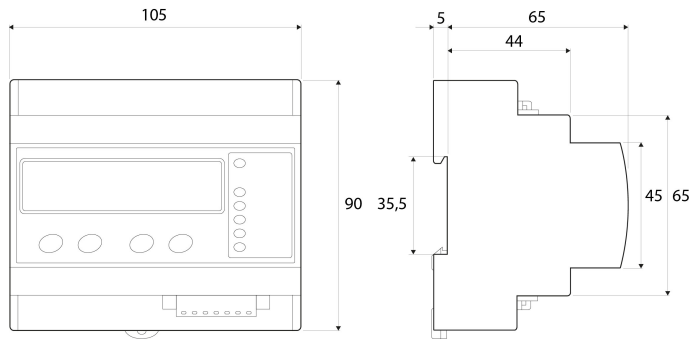


# CDP-0

Dynamic power controller

Code: E51001.

## Dimensions



## Connections

