



Line-M-4G

Line-M-4G, 4G/GPRS communications modem and Bus-Line to communicate with Line-EDS devices,

Code: D7300C.

Specifications

AC power supply

Installation category	CAT III 300V
Consumption	2,8 ... 4,1 VA

DC power supply

Consumption	1,9 ... 2,2 W
-------------	---------------

Mechanical characteristics

Size (mm) width x height x depth	35 x 93.85 x 88.95 (mm)
Envelope	Self-extinguishing V0 plastic
Fastening	DIN rail (IEC 60715)
Weight (kg)	0,178

Environmental characteristics

Protection class	IP30, Front: IP40
Relative humidity (without condensation)	5 ... 95%
Storage temperature	-20 ... +70 °C
Working temperature	-10 ... +50 °C

Standards

Electrical safety, Maximum height (m)	2000
Electrical safety, Installation category	CAT III 300 V
Electrical safety, Contamination level/class	2
Standards	EN 61010-1, EN 61000-6-2, EN 61000-6-4, UNE EN 60068-2-1, UNE EN 60068-2-2, UNE EN 60068-2-78, ETSI EN 301 489-1 Ver. 2.2.1, ETSI EN 301 489-17 Ver. 3.2.4, ETSI EN 301 489-52 Ver. 1.2.1

User interface

LED	4 LED
-----	-------

Radio communication -Antenna

	SMA (Right Angle)
--	-------------------

Radio communication

Band	700/800/850/900/1700/1800/1900/2100/2300/2500/2600 MHz
Technology / Type	4G



Line-M-4G

Code: D7300C.

Line-M-4G

4G Modem, Line-EDS system expandable modules

CODE	TYPE	Description
Modem		
D7300C.	Line-M-4G	4G/GPRS communications modem and Bus-Line to communicate with Line-EDS devices

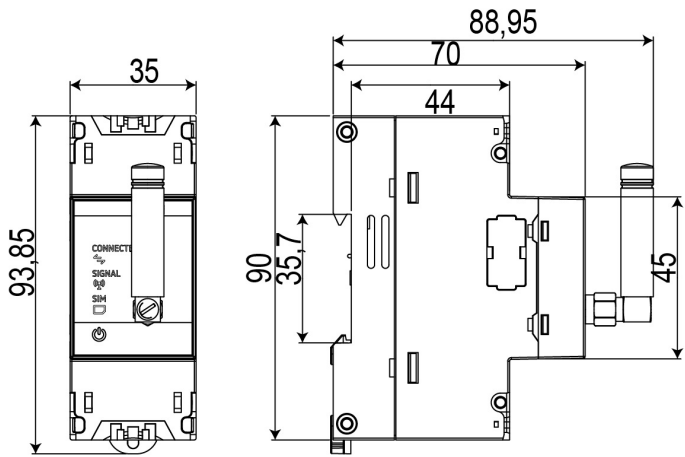
4G Modem, expansion modules, Line system



Line-M-4G

Code: D7300C.

Dimensions



Connections

