



Line-M-20I

Line-M-20I, Centralizer module with 20 digital inputs

Code: D73006.

- > Protocol: Modbus/RTU
- > Communications: Bus-Line
- > Digital inputs: 20
- > Mounting: DIN rail

Description

The line-M-20I is a centraliser with 20 digital inputs that is designed to centralise the logical status of each signal or to count the number of impulses at each input.

Application

- Centralise consumption at installations such as: shopping centres, hotels, campsites, etc.
- Pulse receiver for water, gas and other meters.



Line-M-20I

Impulse centraliser

Code: D73006.

Specifications

AC power supply

Installation category	CAT III 300V
-----------------------	--------------

DC power supply

Consumption	3,5 W
Nominal voltage	12 Vdc

Mechanical characteristics

Size (mm) width x height x depth	52.5 x 118 x 70 (mm)
Envelope	Self-extinguishing V0 plastic
Fastening	DIN rail (IEC 60715)
Weight (kg)	0,178

Environmental characteristics

Protection class	IP30, Front: IP40
Relative humidity (without condensation)	5 ... 95%
Storage temperature	-20 ... +70 °C
Working temperature	-10 ... +50 °C

Voltage measurement circuit

Input impedance	1.4 kΩ
-----------------	--------

Standards

Electrical safety, Maximum height (m)	2000
Electrical safety, Installation category	CAT III 300 V
Standards	UNE-EN 61010-1, UNE-EN 61000-6-2, UNE-EN 61000-6-4

User interface

LED	21 LED
-----	--------

Digital inputs

Input/output insulation	4,2 kVcc
Quantity	20
Consumption (per input)	60 mA Eingänge AUS / 240 mA Eingänge EIN
Type	Optocoupler
Minimum signal width	10 ms

Digital transistor outputs

Maximum current	120mA
-----------------	-------



Line-M-201

Impulse centraliser

Code: D73006.

Line-M-201

Expansion modules pulse inputs, Line series

CODE	TYPE	Protocol	N° relays	Digital inputs
Input/Output Modules				
D73006.	Line-M-201	Modbus/RTU	-	20

Bus-Line: RS-485 communication system, with side connector between modules

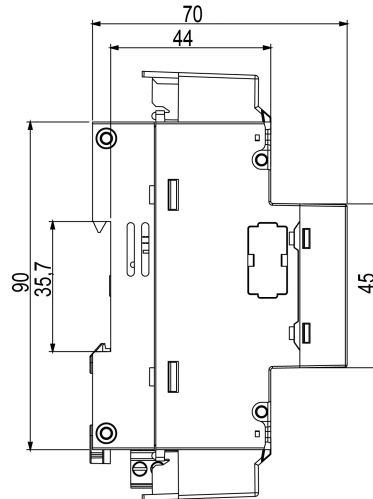
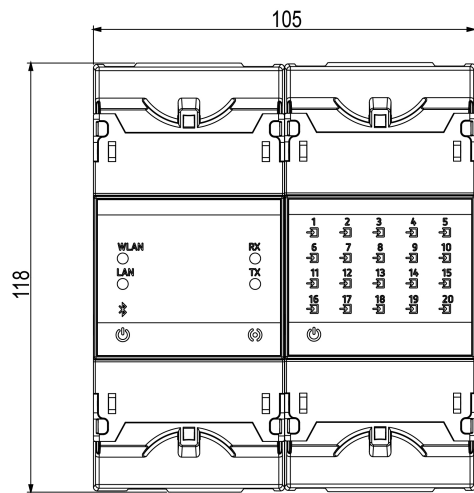


Line-M-20I

Impulse centraliser

Code: D73006.

Dimensions



Connections

