



Line-EDS-iMonitor

Line-EDS-iMonitor, Data collection systems. Integrates WEBSITE. Front-end iMonitor

Code: D70021.

- > Protocol: Modbus (Circutor + generic) | XML
- > Generic Modbus: 1
- > Integrated Software: PowerStudio Scada PRO + iMonitor
- > Communications: Ethernet | RS-485 | Bus-Line
- > Transistor output: 2
- > Mounting: DIN rail

Description

The **Line-EDS-PS** is a gateway with PowerStudio embedded. This module, by itself, lets you set up a supervisory and telemanagement (SCADA) system. By using the expansion modules of the line range or any Modbus (TCP or RTU) device on the market, it is able to integrate any process signal that is to be measured.

By programming the device with PowerStudio, you can incorporate any actuating logic for analogue or digital outputs, allowing you to create an automated management system that performs actions based on the input signals.

The device can be connected via cabled (Ethernet). The data displays, screens and reports can be accessed via the PowerStudio client or via a web browser thanks to the integrated web server

The **Line-EDS-PS** device has three models with different capabilities:

Model	Modbus	RS-485	Ethernet
Line-EDS-PS	1	1	1
Line-EDS-PS PRO	1	1	1
Line-EDS-PS PSS	1	1	1

The **PSS** and **PSS PRO** variants offer the ability to program screens and reports, which allows you to have a SCADA system with a single device, without the need for PCs, servers or licences.

Application

The ease of programming in the PowerStudio environment allows a multitude of applications to be quickly integrated. Some possibilities are listed below by way of example:

- Electricity consumption monitoring system with active alarm management by e-mail (cos φ , maximum power, harmonics, etc.), sectorization of consumption, load management, invoice simulation, allocation of production costs, etc.
- Efficient management of systems through hourly schedules (HVAC, lighting, etc.)
- Efficient management of HVAC systems by regulating the supply setpoints.
- Control of pumping systems.
- Monitoring of industrial processes.
- Management of multipoint consumption (electricity, water, gas, etc.)
- Analysis of equipment performance (compressed air, HVAC, etc.)



Line-EDS-iMonitor

Efficiency Data Server

Code: D70021.

Specifications

AC power supply

Installation category	CAT III 300 V
Consumption	11 ... 28 VA
Frequency	50 ... 60 Hz
Nominal voltage	120 ... 264 V ~

DC power supply

Installation category	CAT III 300 V
Consumption	2.5 ... 7 W
Nominal voltage	190 ... 300 Vdc

Mechanical characteristics

Size (mm) width x height x depth	52.5 x 118 x 70 (mm)
Envelope	Self-extinguishing V0 plastic
Fastening	DIN rail
Weight (kg)	0,187

Environmental characteristics

Protection class	IP30, Front: IP40
Relative humidity (without condensation)	5 ... 95%
Storage temperature	-20 ... +80 °C
Working temperature	-10 ... +50 °C

Standards

Certifications	UL 61010-1
Electrical safety, Maximum height (m)	2000
Standards	UNE-EN 61010-1, UNE-EN 61000-6-2, UNE-EN 61000-6-4, UL 61010-1

Communication Network

Connection mechanism	RJ-45
Connection mode	DHCP ON/OFF (ON by default)
Protocol	Modbus RTU / Web server - XML
Technology / Interface	Ethernet 10 /100 BT

User interface

LED	5 LED
-----	-------

Digital transistor outputs

Pulse width	1 ms
-------------	------



Line-EDS-iMonitor

Efficiency Data Server

Code: D70021.

Quantity	2
Type	Optocoupler (Open-collector)
Maximum frequency	500 Hz
Maximum current	120 mA
Maximum voltage	48Vcc

Serial communication

Protocol	Modbus RTU
Technology / Type	RS-485

Line-EDS-iMonitor

Data collection systems. Integrates WEBSITE.

CODE	TYPE	Integrated Software	Transistor output	Generic Modbus	Communications	Protocol
D70021.	Line-EDS-iMonitor	PowerStudio Scada PRO + Front-end iMonitor	2	1	Ethernet RS-485 Bus-Line	Modbus (Circutor + generic) XML

Bus-Line: RS-485 communications system, with lateral side connector between modules

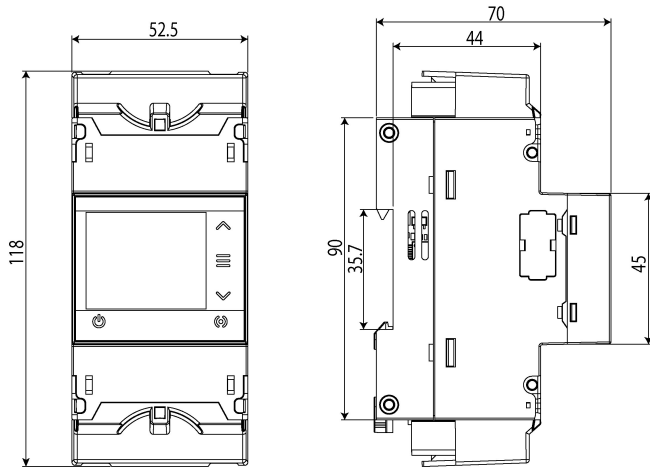


Line-EDS-iMonitor

Efficiency Data Server

Code: D70021.

Dimensions



Connections

