

RVE

Outdoor Recharge Posts



Description

The vehicle charge posts of the **RVE** family of products, has been designed to fit all needs in electrical vehicles recharge on the street, compliant with all electrical security regulations as well as access security and metering and consumption management.

The robustness for its use and against vandalism is one of the aspects taken in account when designing and developing this equipment, as well as fit them with a temperate and smart aesthetic design.

All family **RVE** range of products has been thought to give the electrical vehicle user, a simple method for recharge his vehicle everywhere he parks it, that way the recharging posts has been equipped with a simple access system and energy payment through contactless cards, as well as a handy and easy opening and closing system, that way all the recharge process could be fulfilled with only a few steps by any user without technical knowledge needs.

Applications

All outdoor places or these that could be used for any kind of vehicle parking (cars, motorcycles, bikes, transport, cleaning, ...).

An example of this could be public street, public outdoor car parks, outdoor car parks on big malls, airports, car rental companies, cleaning companies, etc.

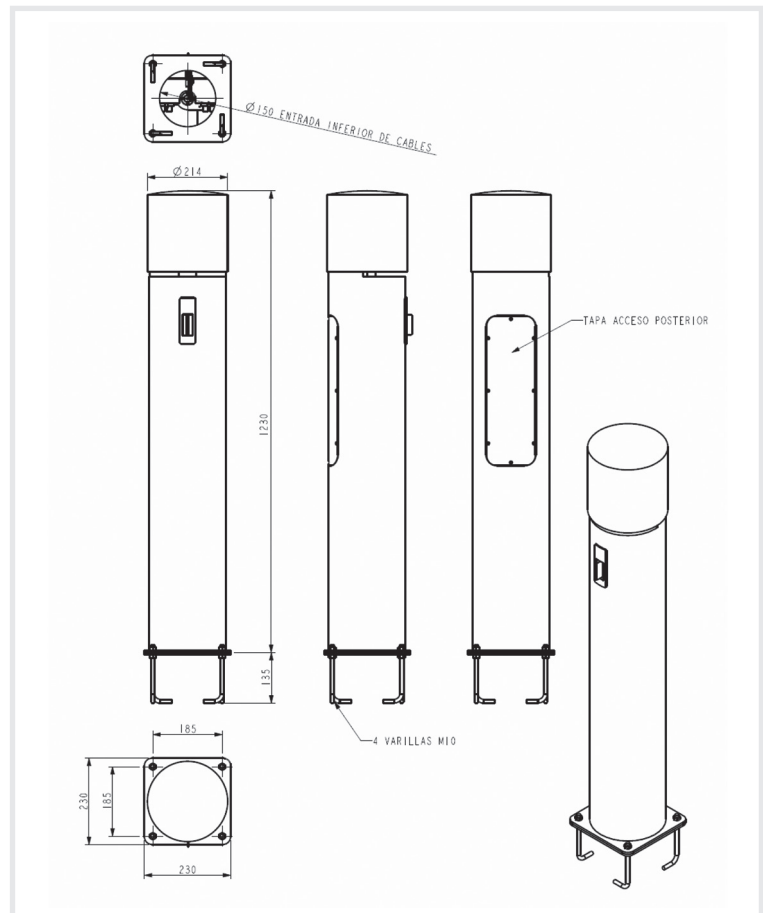
Features

Features	
	Anti-vandalism stainless steel body
	Coated with anti-graffiti paint
	Access and prepayment with proximity cards
	Display for credit monitoring
	Integrated energy measurement
	Integrated electrical protections with automatic reconnection
	Protection system against energy attempted theft
	Anti-vandalism opening system
	Ready for outdoor use (IP54)
	Smart aesthetic design
	Different types
Common technical features	
Power input	230 V c.a.
Tolerance	± 10 %
Frequency input	50 ... 60 Hz
Power output	230 V c.a.
Maximum current output	16 A per outlet
Connector	Schuko "CEE 7/4" (Others under request)
Energy	Integrated energy meter
RCCB	Self-reclosing
RFID reader	ISO 14443A
RFID frequency	13,56 MHz
Temperature range	-20 ... + 50 °C
Build features	
Surface	Gray polyester paint RAL 9006 with anti-graffiti coat
Surround	Stainless steel 3mm thickness AISI304
Degree of mechanical protection	IK8
Degree of IP protection	IP 54
Anchor	Template for fixing on floor with 4 bolts
Standards	
EN 61851-1 : 2001 par1, IEC 61000, IEC 60364-4-41, IEC 61008-1, IEC 60884-1 , IEC 60529, IEC 61010, UNE-EN55011, ISO 14443A	

RVE

Outdoor Recharge Posts

Dimensions



Individual technical features

		Type
Maximum recharge power	3,6 kW	RVE - 1
Number of outlets	1	
Weight	30 kg	
Dimensions	Ø 179 mm; 1230 mm	

		Type
Maximum recharge power	2 x 3,6 kW	RVE - 2
Number of outlets	2	
Weight	40 kg	
Dimensions	Ø 214 mm; 1230 mm	

References

	Type	Code
Outdoor recharge post 1 outlet	RVE - 1	V10110
Outdoor recharge post 2 outlets	RVE - 2	V10120