

RGU-10 MT

Electronic earth leakage relay



Compatible with
WGC earth leakage
transformers

Description

Electronic earth leakage protection relay of the **WGC** series connected to the external toroidal transformers of the **WG / WGS / WGC** series. It is connected to a motorized circuit breaker of the MT series or similar, as a circuit breaker. The self-reclosing can be programmed by earth leakage and/or circuit breaker trip. Super-immunised type-A relay with high-frequency current filtering and high immunity. True root mean square (TRMS) measure.

The backlit display shows the following information:

- Adjustment values
- Instantaneous leakage current

Features two independent outputs:

- Trip relay
- Interlocking relay for end of reclosing sequence
- External input for remote-control functions (230 Vac)
- Automatic test of the connection and external transformer status
- Optional RS-485 communication: type **RGU-10C MT**
- Compact size: 3 modules
- Assembly on **DIN 46277** rail (**EN-50022**).

Applications

The **RGU-10 MT** relays associated with the transformers of the **WGC** series enable smart earth leakage protection. These are used jointly with an MV or similar circuit breaker to enable self-reclosing after a trip (circuit breaker and earth leakage reclosing), offering a very good solution for street lights, ATMs, refrigerating chambers, etc. Their design features guarantee maximum security and electrical service continuity, avoiding unwanted tripping.

Technical features

Circuit breaker and earth leakage protection	Class	A super-immunised
	Measurement	True root mean square (TRMS)
	Sensitivity	Programmable, 30 mA...30 A
	Delay	Programmable, 20 ms...10 s Inverse curve: instantaneous or selective
	Earth leakage transformer	External, WG / WGC / WGC series
	Test and reset	Using built-in button
Reclosing system Earth leakage and circuit breaker	Associated circuit breaker	Motorized circuit breaker MT, MT-FDE series
	I_n and no. of poles	Defined by the circuit breaker
	Circuit breaker control	Simple ON / OFF relay
	No. of reclosures	
Relay signalling	Time between reclosures	Programmable
	Reclosure meter reset time	
	LED indicators	Presence of voltage Tripped by leakage Reclosing activation Interlocking status
Electrical features	Backlit display	LCD
	Remote signaling (outputs)	Locking status indicator relay
	Remote control (inputs)	ON / OFF
	Auxiliary power supply	230 Vac ($\pm 20\%$) 50 / 60 Hz
	Output contacts	5 A AC Current
Mechanical features	Operating temperature	-10 °C...+50 °C
	Attachment	DIN 46277 rail (EN 50022)
	Dimensions	3 modules
	Weight	236 g
Standards	Protection degree	IP 20 on terminals, IP 41 on back panel
		IEC 61008-1, IEC 755, IEC 255-5

RGU-10 MT

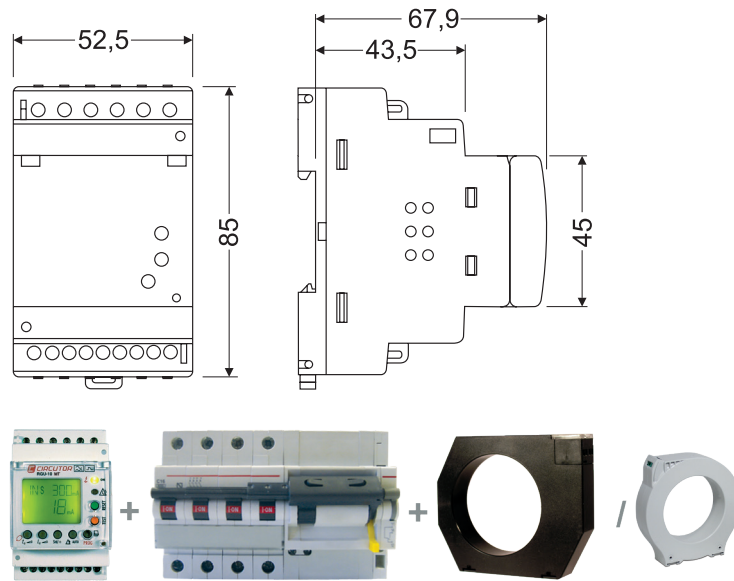
Electronic earth leakage relay

References

Type	Code	Reclosing element	Communications	I_n (A)	Delay (*)
RGU-10 MT	P24642	Circuit Breaker	-	0,03...30	0,02...10 s
RGU-10C MT	P24652	Circuit Breaker	RS-485	0,03...30	0,02...10 s

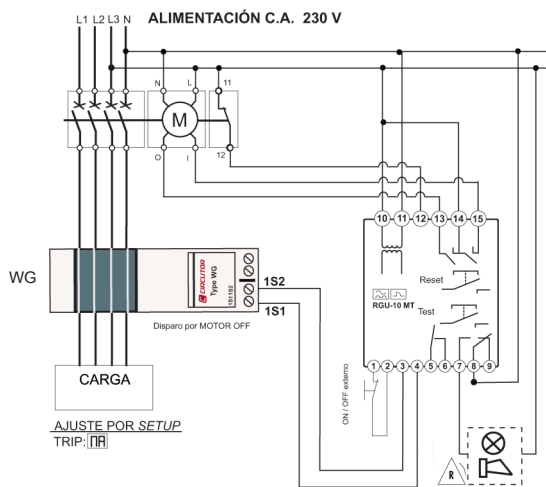
(*) The delay is cancelled in all units with a sensitivity adjustment of 0,03 A.

Dimensions



Connections

RGU-10 MT / RGU-10C MT



RGU-10 MT with coil / RGU-10C MT with coil

