

M-CVM-AB

Expansion modules M-CVM-AB-Modbus TCP



Description

Expansion module with Modbus/TCP communications (Ethernet).

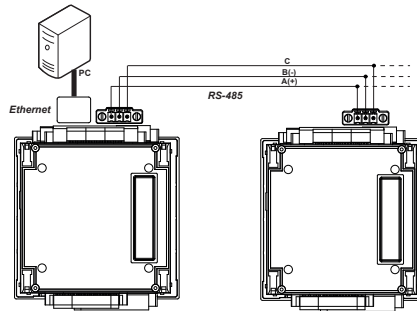
Applications

Enables communications with SCADA systems, or similar, over TCP/IP computer networks using the Modbus/TCP protocol.

Technical features

Maximum power consumed		3 W
Mechanical	Connections	RJ-45 connector
	Protocol	Ethernet
	Communications	Bridge TCP to RS-485, Modbus TCP to Modbus/RTU
Code	M56E05	

Connections



M-CVM-AB

Expansion modules M-CVM-AB-MBus



Description

Expansion module with MBUS communications.

Applications

Enables the integration of units in MBUS communications networks (METER BUS).

Technical features

Maximum power consumed		3 W
Mechanical	Input connection	A+ / B-
	Output connection	A+ / B-
Features	Bus	Wired M-Bus
	M-Bus regulations	EN 13757-2:2004, EN 13757-3:2004, EN 1434-3:2008
	Protocol	Slave M-BUS
	Baud Rate	300, 600, 1200, 2400, 4800, 9600 (configurable from the unit menu)
	Stop bits	1
	Parity	even
	Primary address	1 to 250 (configurable from the unit menu)
Code	M56E07	