

# M-CVM-AB

## Expansion modules M-CVM-AB-Modbus TCP



### Description

Expansion module with Modbus/TCP communications (Ethernet).

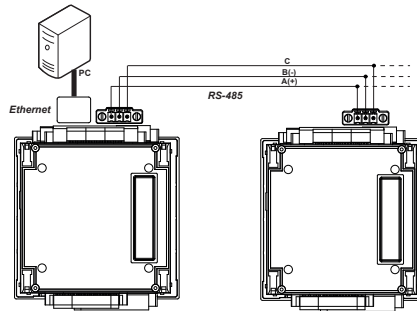
### Applications

Enables communications with SCADA systems, or similar, over TCP/IP computer networks using the Modbus/TCP protocol.

### Technical features

<b>Maximum power consumed</b>		3 W
<b>Mechanical</b>	Connections	RJ-45 connector
	Protocol	Ethernet
	Communications	Bridge TCP to RS-485, Modbus TCP to Modbus/RTU
<b>Code</b>	<b>M56E05</b>	

### Connections



# M-CVM-AB

## Expansion modules M-CVM-AB-MBus



### Description

Expansion module with MBUS communications.

### Applications

Enables the integration of units in MBUS communications networks (METER BUS).

### Technical features

<b>Maximum power consumed</b>		3 W
<b>Mechanical</b>	Input connection	A+ / B-
	Output connection	A+ / B-
<b>Features</b>	Bus	Wired M-Bus
	M-Bus regulations	<b>EN 13757-2:2004, EN 13757-3:2004, EN 1434-3:2008</b>
	Protocol	Slave M-BUS
	Baud Rate	300, 600, 1200, 2400, 4800, 9600 (configurable from the unit menu)
	Stop bits	1
	Parity	even
	Primary address	1 to 250 (configurable from the unit menu)
<b>Code</b>	<b>M56E07</b>	