

M-CVM-AB

Expansion modules M-CVM-AB-8I-80TR



Description

Expansion module with 8 digital inputs and 8 transistor outputs.

Applications

Digital inputs

Reports via communications:

- Logic states of non-unit external systems
- Metering of the impulses generated by other units (water and gas meters, etc.)

Digital outputs

- Activation / deactivation by maximum or minimum instantaneous parameter values measured by the unit
- Generation of impulses by incremental parameters measured by the unit

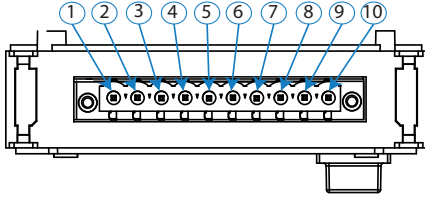
Technical features

Maximum power consumed		3 W
Mechanical	Terminal protection	IP 20
Logical inputs	Type of input	Voltage-free / NPN
	Type of coupling	Optoisolated input
	Maximum voltage	12 Vdc
	ION	4 mA
	Input consumption	< 0.25 W
	Minimum times	t _{ON} 40 ms
		t _{OFF} 40 ms
	Number of inputs	8
	Connection	0.05-1.5 (AWG 30-14) mm ²
	Terminal tightening torque	0.3 Nm
Static outputs	Rated voltage	250/150 Vac / Vdc
	Nominal current	< 100 mA
	Maximum current	< 150 mA
	Maximum dissipation power	0.5 W
	Maximum R _{ON}	80 Ω
	No. of outputs	8
Digital outputs	Connection	0.05-2.5 (AWG 30-12) mm ²
	Terminal tightening torque	0.6 Nm
Code	M56E01	

M-CVM-AB

Expansion modules M-CVM-AB-8I-80TR

Connections

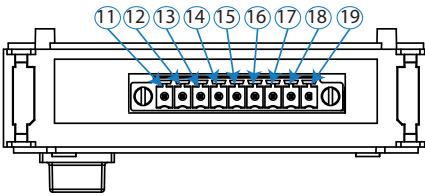


Terminals of transistor digital inputs/ outputs, upper face

Terminals on the upper face

List of terminals on the upper face, transistor digital inputs/outputs module

Unit terminals					
1	T1	Digital output of transistor 1	6	T5	Digital output of transistor 5
2	T2	Digital output of transistor 2	7	T6	Digital output of transistor 6
3	T3	Digital output of transistor 3	8	T7	Digital output of transistor 7
4	T4	Digital output of transistor 4	9	T8	Digital output of transistor 8
5	CT	Shared by the transistor's digital outputs	10	CT	Shared by the transistor's digital outputs



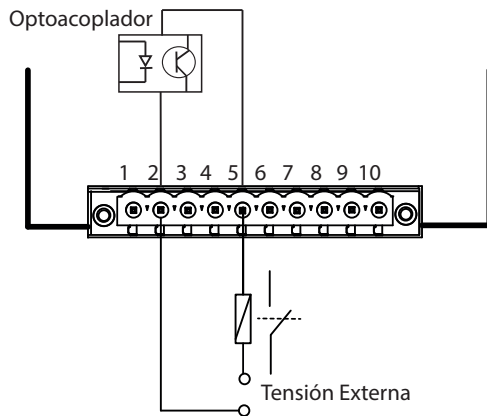
Terminals of transistor digital inputs/ outputs, lower face

Terminals on the lower face

List of terminals on the lower face, transistor digital inputs/outputs module

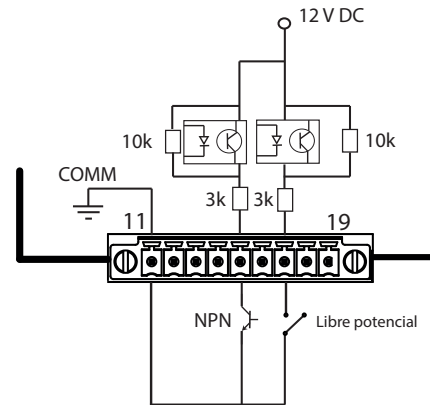
Unit terminals					
11	GND	For digital inputs:	16	I5	Digital input 5
12	I1	Digital input 1	17	I6	Digital input 6
13	I2	Digital input 2	18	I7	Digital Input 7
14	I3	Digital input 3	19	I8	Digital input 8
15	I4	Digital input 4			

Transistor digital outputs



Connection diagram, transistor digital outputs

Digital inputs



Connection diagram, digital inputs