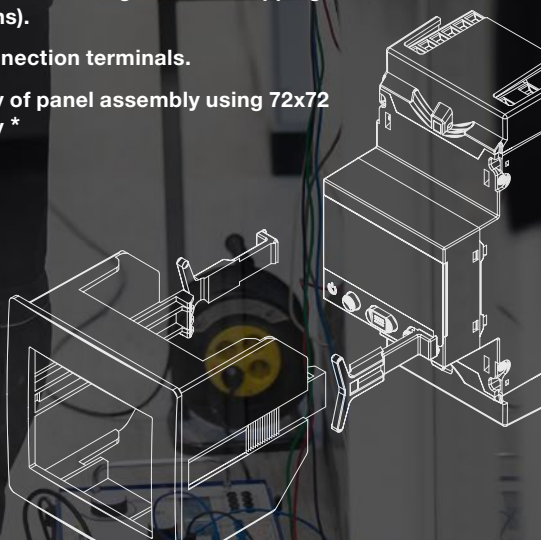




Its most notable features are:

- 4-quadrant power analyzer (consumption and generation).
- Measurement of active, inductive/capacitive reactive and apparent energy.
- Measures the monetary cost of energy, CO₂ emissions and operating hours for preventive maintenance tasks.
- Dual power source through digital input. Separates the energy from two sources: utility and generator set or photovoltaic generation.
- RS-485 communications with Modbus RTU and BACnet protocol, which can be selected in the same unit.
- Maximum active power, inductive/capacitive reactive, apparent or current demand with programmable calculation window.
- 1 digital output for generation of energy consumption impulses or alarm of any instantaneous parameter.
- 1 digital input for changing the tariff or status control (sensor management or skipping of protections).
- Quick connection terminals.
- Possibility of panel assembly using 72x72 accessory *
- Sealable.



Technical features

Power circuit	Rated voltage	207 to 253 V~		
	Installation category	CAT III 300 V		
	Rated voltage (Un)	300 V ac (p-n) / 520 V ac (p-p)		
Voltage measurement circuit	Voltage measurement margin	5 to 120% Un		
	Frequency measurement margin	45 to 65 Hz		
	Installation category	CAT III 300 V		
	Nominal current (In)	.../5A or .../1A		
Current measurement circuit	Current measurement margin	2 to 120% In		
	MINimum measurement current (Istart)	10 mA		
	Installation category	CAT III 300 V		
	Voltage measurement	0.5% ± 1 digit		
Measurement accuracy	Current measurement	0.5% ± 1 digit		
	Frequency measurement	0,5%		
	Active power measurement	0.5% ± 2 digits		
	Reactive power measurement	1% ± 2 digits		
	Active energy measurement	I < 0.1 In	Class 1	I > 0.1 In
				Class 0.5
	Reactive energy measurement		Class 2	
		Quantity	1	
	Pulse output	Type	Output NPN	
		Maximum voltage	24 Vdc	
Maximum frequency		16 imp/s		
Pulse width		30 to 500 ms (Programmable)		
Quantity		1		
Digital input	Type	Potential-free contact NPN		
	Communications protocol	Modbus RTU	BACnet	
		Fieldbus	RS-485	MS/TP
	Speed	9600 - 19200 - 38400 - [57600 Modbus RTU]		
	Operating temperature	-5 to +45°C		
Environmental features	Storage temperature	-10 to +50°C		
	Relative humidity (without condensation)	5 ... 95 %		
	Maximum altitude	2000 m		
	Protection degree	IP31 - Front panel: IP40		
Mechanical features	Dimensions	52.5 x 118 x 74 mm		
	Weight	300 g		
	Enclosure	V0 self-extinguishing plastic		
	Panel attachment with 72x72 accessory	DIN rail		
	Standards	EN 61010-1:2010, EN 61010-2-030:2011, EN 61326-1:2013, UL94		

References

Type	Code	Type	Code
CVM-E3-MINI-ITF-485-IC	M56414	Panel adapter CVM-E3-MINI 72x72	M5ZZF10000E3



CIRCUTOR, SA - Vial Sant Jordi, s/n
08232 Viladecavalls (Barcelona) Spain
Tel. (+34) 93 745 29 00 - Fax: (+34) 93 745 29 14
central@circutor.com

Code: C2M5M3

CIRCUTOR, SA reserves the right to change any information contained in this catalogue.



CVM-E3-MINI

Power analyzer designed for energy efficiency

Check each parameter of your electrical installation



Technology for energy efficiency





Measures and calculates any parameter in your electrical network

- › **CVM-E3-MINI** provides real time measurements of more than 250 electrical parameters. The unit shows the maximum and MINimum RMS values of any instantaneous variable as well as the harmonic breakdown up to the 31st harmonic.



Remotely fixes any configuration error

- › Reconfigure the unit, through PowerStudio software, to resolve any error in the programming or physical wiring of the unit. Save indirect costs in the start-up and configuration.

Separates the consumption of two sources of energy

- › The unit has a digital input for changing the tariff. In this way the unit is able to save the incremental values of two sources of energy, either from the electrical network or the auxiliary energy generation system.



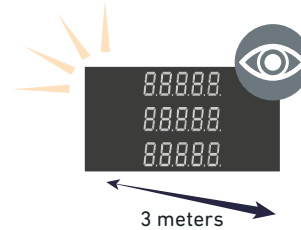
New system with sealable Plug & ON terminals

- › It protects any user from direct contact with live parts and ensures the accuracy of the measurements, sealing the terminals and discouraging any tampering.



High contrast display

- › It ensures the correct display of data for distances of up to 3 m, avoiding having to open the panel to check any electrical parameter.



New screens

- › The various measurement options include the possibility of measuring the monetary cost of energy, operating time, CO₂ emissions and harmonics.

New needs in the sector

CVM-E3-MINI enables the control of electrical and energy variables in any type of installation adapting to new international regulations for the measurement and management of energy efficiency, adding the economic cost, CO₂ emissions and operating time for preventive maintenance in two energy logs for two different sources: distribution panel and self-consumption.

